



# PARTS CATALOGUE

**EF1000iS** (7CG3) GERMANY

**EF1000iS** (7CG3) UNITED KINGDOM

**EF1000iS** (7CG3) FRANCE

1C7CG-300E2



( )

2013/2/14

NEWS NO.	DATE	COMMENT
PE0-MC-130007	Feb.,14.,2013	EF1000iS(7CG3) PARTS CATAROGUE CORRECTIONS

EF1000iS  
PARTS CATALOGUE  
©2011 by Yamaha Motor Co., Ltd.  
1st edition, October 2011  
All rights reserved.  
Any reprinting or unauthorized use  
without the written permission of  
Yamaha Motor Co., Ltd.  
is expressly prohibited.  
Printed in Japan.

# FOREWORD

This Parts Catalogue is related to the parts for the model(s) on the cover page. When you are ordering replacement parts, please refer to this Parts Catalogue and quote both part numbers and part names correctly.

1. Modifications or additions which have been made after the issue of the Parts Catalogue will be announced in the Parts News.

It is advisable that you make the necessary corrections to the Parts Catalogue according to the Parts News.

2. Abbreviations

The following abbreviations are used in this Parts Catalogue.

“UR” Use specified parts number.

“UN” Use as many as needed.

“AP” Alternate Parts

“LM” Locally Made (Parts need to be ordered locally)

“F#” Frame No. (Applicable machine No.)

“O/S” Over Size

3. The number of components for assembly

- Parts, which are to be supplied in an assembly, are listed with a dot (.) in front of the part name as shown below.
- The numeral appearing to the right of each component part indicates the quantity of parts for each assembly unit.

PART NO.	DESCRIPTION	Q'TY	REMARKS
2F5-83310-60	FRONT FLASHER LIGHT ASSY	2	
115-83311-60	.BULB (6V-18W)	1	

4. Applicable colours of graphics are represented in the “REMARKS” as shown below.

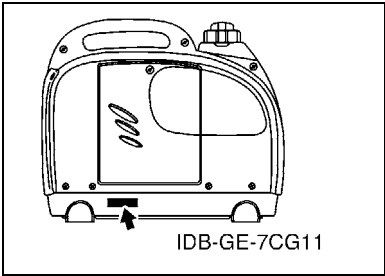
PART NO.	DESCRIPTION	Q'TY	REMARKS
2N4-24110-00-X5	FUEL TANK COMP.	2	MXR
3J1-24240-10	.GRAPHIC, FUEL TANK	1	FOR MXR

5. Note that the illustrations for reference in finding parts numbers are not to be used for assembling. When assembling, please use the applicable service manual.

6. The asterisk (\*) before a reference number indicates modified items after the first edition.

# FOREWORD

7. Applicable Serial No.  
 Frame Serial No.



8. Applicable Colour Code (The (\*) mark shows Model colour.)

Abbreviation	Colour Name	Colour Code
PBS3(*)	PURPLISH BLUE SOLID 3	0714

9. Applicable Starting Serial No.  
 \*\*\*\*\*Serial NO.

Model	Model Code	Destination	Voltage	Serial NO.
EF1000iS	7CG3	DEU	230V-50Hz	7CG-0300101
EF1000iS	7CG3	GBR	230V-50Hz	7CG-0340101
EF1000iS	7CG3	FRA	230V-50Hz	7CG-0360101

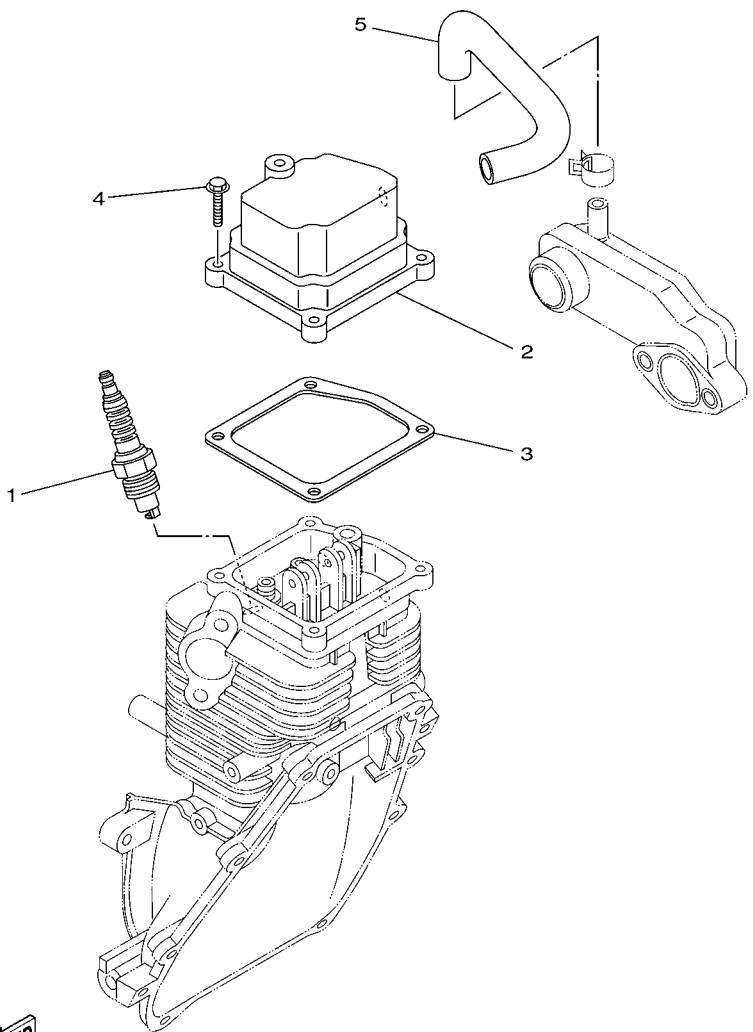
# CONTENTS

CYLINDER .....	1
CRANKSHAFT & PISTON .....	2
CAMSHAFT & VALVE .....	3
AIR SHROUD & STARTER .....	4
INTAKE .....	6
CARBURETOR .....	7
EXHAUST .....	9
CRANKCASE .....	10
FRAME .....	11
FRAME 2 .....	12
FUEL TANK .....	13
MAGNETO .....	15
GENERATOR .....	16
CONTROL BOX .....	17
GRAPHIC & EMBLEM .....	19

## INDEX

NUMERICAL INDEX .....	20
-----------------------	----

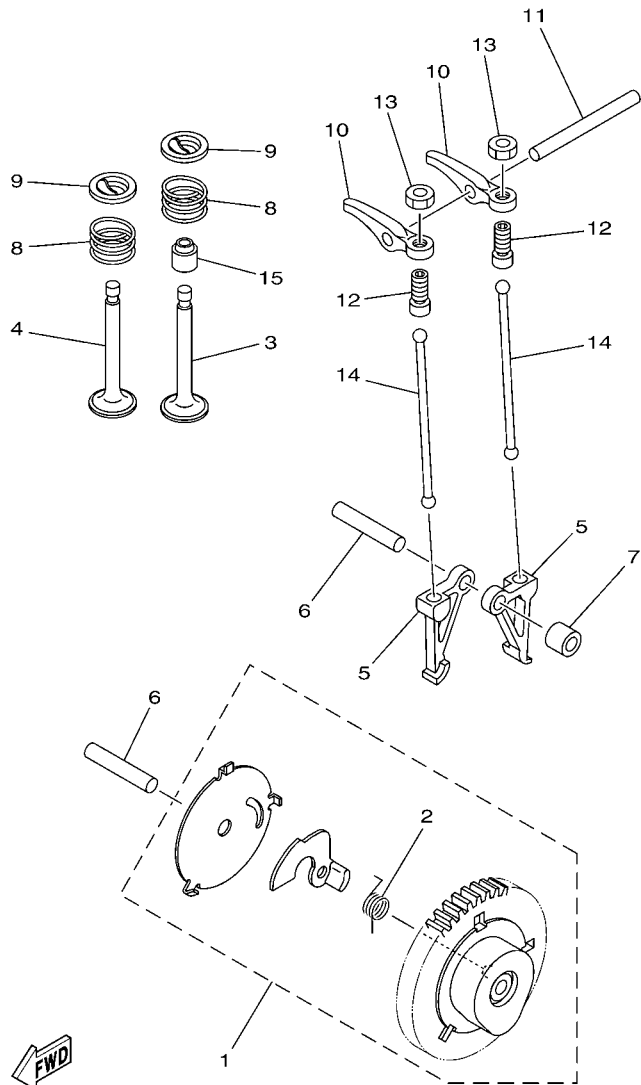
**FIG. 1 CYLINDER**



  
7VV1010-A010

REF. NO.	PART NO.	DESCRIPTION	7CG3				REMARKS
1	94702-00419	PLUG, SPARK (NGK CR4HSB)	1				
2	7VV-11190-00	COVER, CYLINDER HEAD 1	1				
3	7VV-11193-00	GASKET, HEAD COVER 1	1				
4	90105-05361	BOLT, FLANGE	4				
5	7VV-11166-00	PIPE, BREATHER 1	1				
<hr/>							
<hr/>							
<hr/>							
<hr/>							
<hr/>							
<hr/>							
<hr/>							
<hr/>							
<hr/>							
<hr/>							



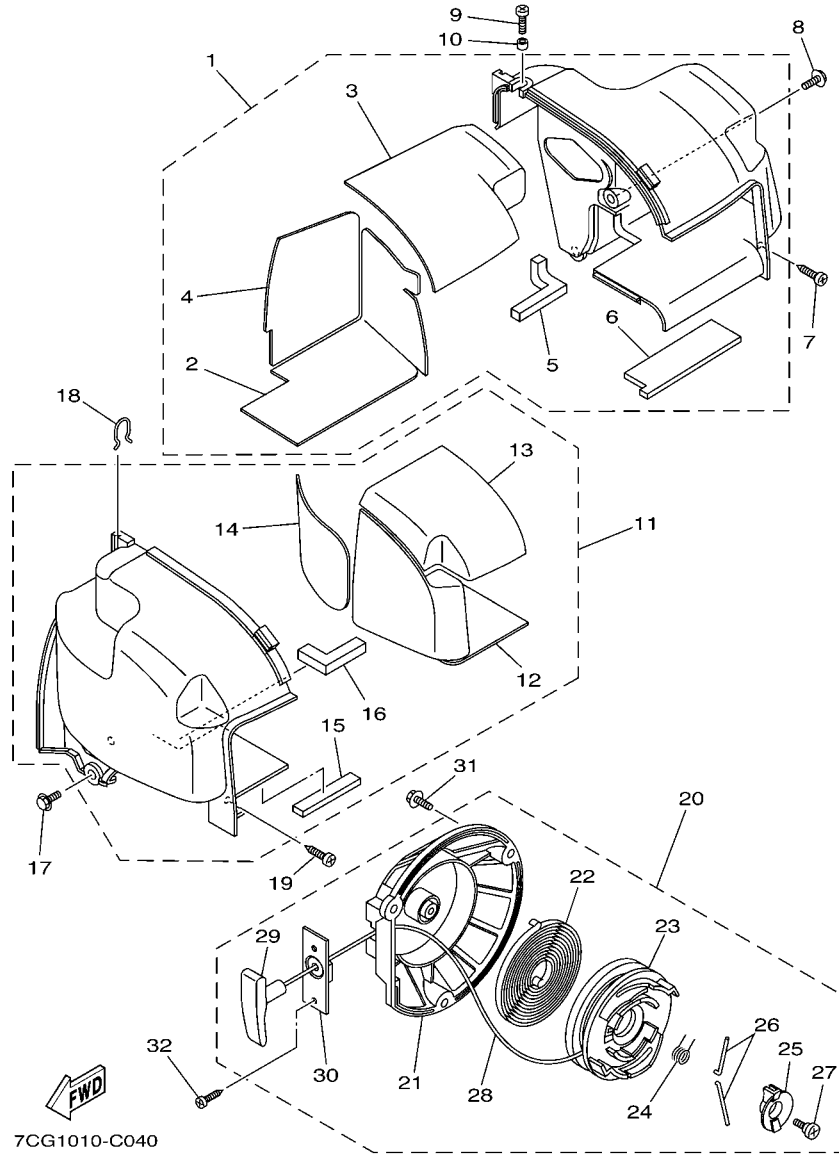


7VV1010-A031

FIG. 3 CAMSHAFT & VALVE

REF. NO.	PART NO.	DESCRIPTION	7CG3				REMARKS
1	7VV-12170-02	CAMSHAFT ASSY 1	1				
2	7VV-12287-01	.SPRING, DECOMPRESSION	1				
3	7CG-12111-C0	VALVE, INTAKE	1				
4	7CG-12121-C0	VALVE, EXHAUST	1				
5	7CG-12141-C0	FOLLOWER,CAM	2				
6	93605-30002	PIN, DOWEL	2				
7	90387-05624	COLLAR	1				
8	90501-16708	SPRING, COMPRESSION	2				
9	7VV-12117-00	RETAINER, VALVE SPRING	2				
10	7VV-12151-00	ARM, VALVE ROCKER	2				
11	93604-42002	PIN, DOWEL	1				
12	7VV-12159-00	SCREW, VALVE ADJUSTING	2				
13	90170-05302	NUT	2				
14	7VV-12154-00	ROD, VALVE PUSH	2				
15	1HX-12119-00	SEAL, VALVE STEM	1				

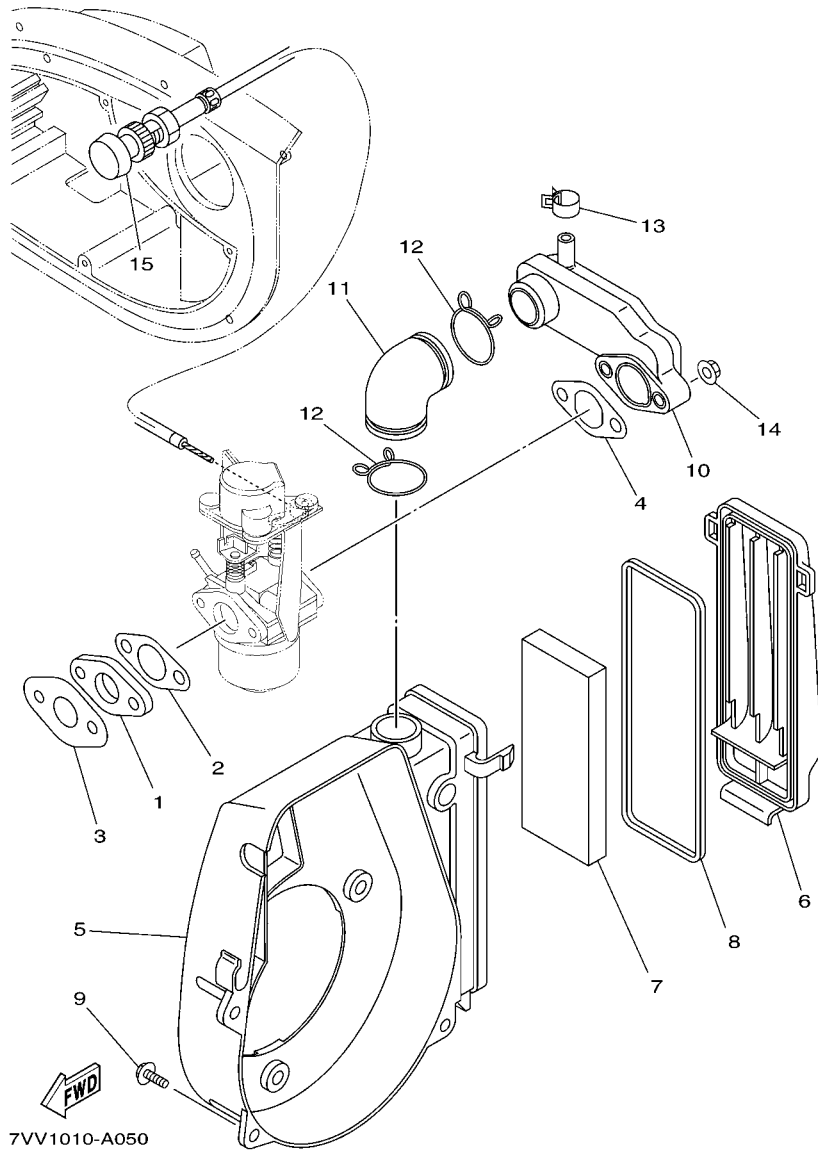




**FIG. 4 AIR SHROUD & STARTER**

REF. NO.	PART NO.	DESCRIPTION	7CG3				REMARKS
1	7VV-12620-00	AIR SHROUD ASSY	1				
2	7VV-1469A-00	.FIBER	1				
3	7VV-1469E-00	.FIBER	1				
4	7VV-1469F-00	.FIBER 3	1				
5	7VV-12668-00	.DAMPER, AIR SHROUD 3	1				
6	7VV-12678-00	.DAMPER, AIR SHROUD 5	1				
7	97707-50016	SCREW, TRUSS HEAD TAPPING	1				
8	90105-05002	BOLT, FLANGE	2				
9	98907-05014	SCREW, BIND	1				
10	90387-05679	COLLAR	1				
11	7VV-12650-00	AIR SHROUD ASSY,,2	1				
12	7VV-1478A-00	.FIBER 7	1				
13	7VV-1478E-00	.FIBER 8	1				
14	7VV-1478F-00	.FIBER 9	1				
15	7VV-12679-00	.DAMPER, SHROUD 6	1				
16	7VV-12669-00	.DAMPER, AIR SHROUD 4	1				
17	90105-05002	BOLT, FLANGE	2				
18	7VV-12486-00	CLIP	2				
19	97707-50016	SCREW, TRUSS HEAD TAPPING	1				
20	7VV-15710-00	STARTER ASSY	1				
21	7VV-15703-00	.STARTER CASE COMP.	1				
22	7VV-15713-00	.SPRING, STARTER	1				
23	7VV-15714-00	.DRUM, SHEAVE	1				
24	7VV-15715-00	.SPRING, FRICTION	1				
25	7VV-15716-00	.PLATE, DRIVE	1				
26	7VV-15741-00	.PAWL, DRIVE	2				
27	7VV-15793-00	.SCREW	1				





**FIG. 5 INTAKE**

REF. NO.	PART NO.	DESCRIPTION	7CG3				REMARKS
1	7X9-13595-00	JOINT	1				
2	7G5-13556-10	GASKET, MANIFOLD	1				
3	7VV-13556-00	GASKET, MANIFOLD	1				
4	7X9-14416-10	GASKET, AIR CLEANER	1				
5	7VV-14411-00	CASE, AIR CLEANER 1	1				
6	7VV-14412-00	CAP, CLEANER CASE 1	1				
7	7VV-14451-00	ELEMENT, AIR CLEANER	1				
8	7VV-14462-00	SEAL	1				
9	90105-05002	BOLT, FLANGE	3				
10	7VV-14453-00	JOINT, AIR CLEANER 1	1				
11	7VV-14485-00	PIPE, JOINT	1				
12	90467-280A0	CLIP	2				
13	90467-13064	CLIP	1				
14	95707-06500	NUT, FLANGE	2				
15	7VV-26331-00	CABLE, CHOKE	1				

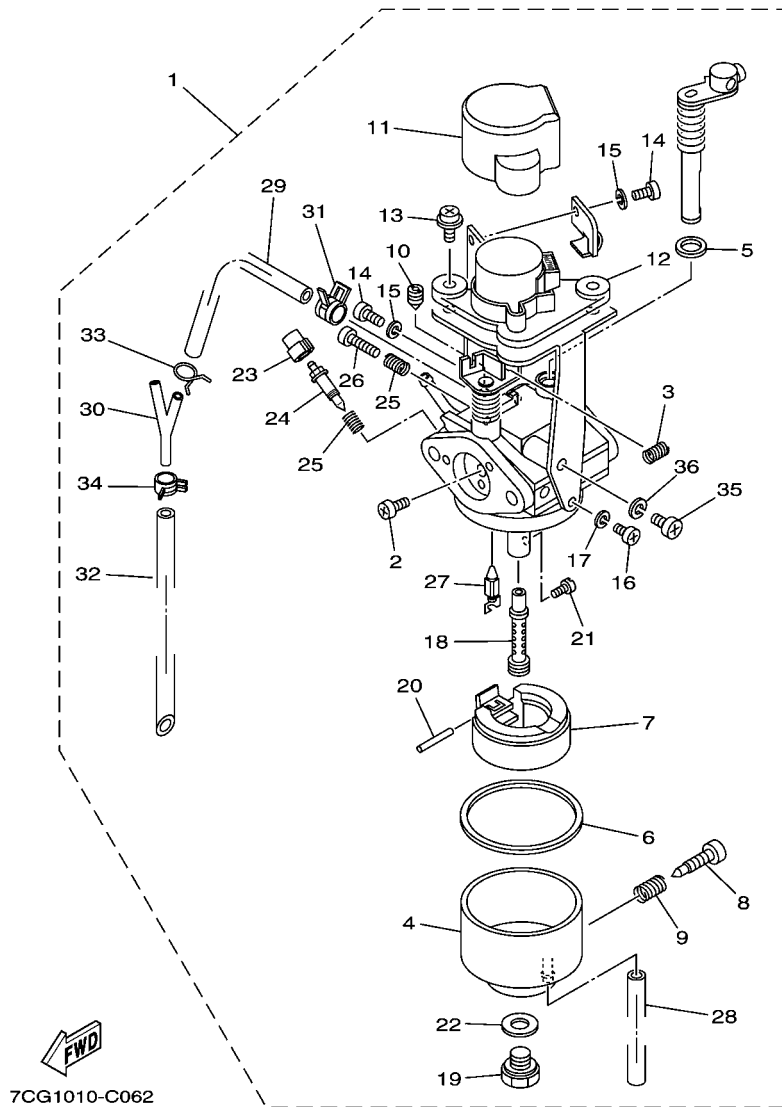


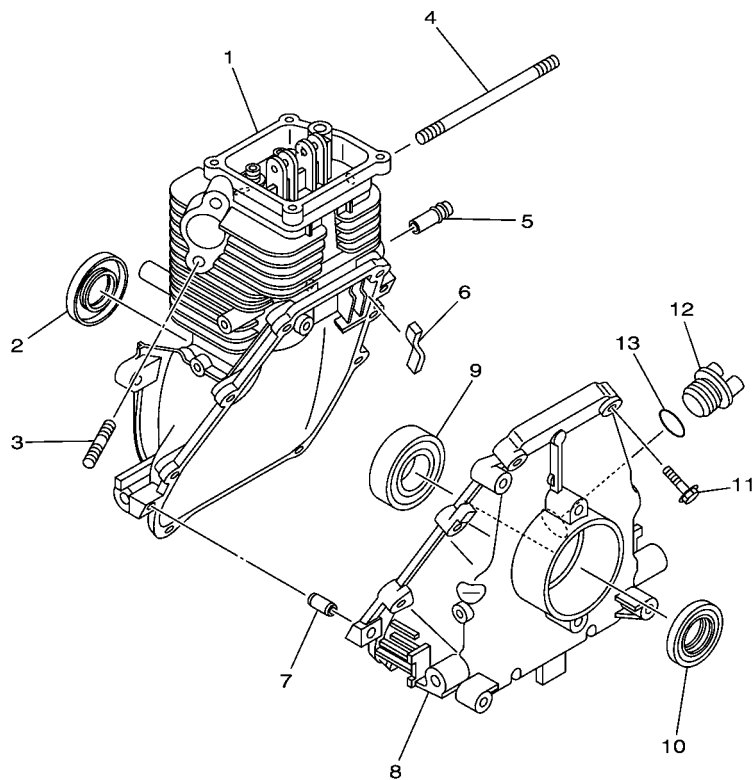
FIG. 6 CARBURETOR

REF. NO.	PART NO.	DESCRIPTION	7CG3				REMARKS
1	7CG-14101-00	CARBURETOR ASSY 1	1				
2	7RH-14486-00	.SCREW, ROD	3				
3	127-14134-00	.SPRING, AIR ADJUSTING	1				
4	7CG-14181-00	.BODY, FLOAT CHAMBER 1	1				
5	22F-14117-00	.WASHER, PLUG SCREW	1				
6	7G5-14227-00	.GASKET, FLOAT CHAMBER	1				
7	7X9-14185-00	.FLOAT	1				
8	7E1-14191-00	.PLUG, DRAIN	1				
9	73A-14212-00	.SPRING	1				
10	620-14142-32-A0	.JET, PILOT (# 32.5)	1				
11	7VU-14293-00	.COVER 1	1				
12	7CF-81802-09	.MOTOR UNIT ASSY.	1				
13	4SV-24453-00	.SCREW	2				
14	98507-05008	.SCREW, PAN HEAD	2				
15	92990-05100	.WASHER, SPRING	2				
16	98580-04010	.SCREW, PAN HEAD	1				
17	92990-04100	.WASHER, SPRING	1				
18	7VV-1495E-2C	.NOZZLE, MAIN	1				
19	7CG-14162-00	.BOLT, HOLDING	1				
20	22F-14186-00	.PIN, FLOAT	1				
21	1HX-1423E-23-A0	.JET, MAIN (# 58.8)	1				
22	127-14198-00	.GASKET	1				
23	7NJ-14118-00	.CAP (CUT AWAY 1/4)	1				
24	7NJ-14211-00	.SCREW, PILOT ADJUSTING	1				
25	73A-14212-00	.SPRING	2				
26	75J-14990-00	.SCREW	1				
27	7VV-14150-00	.NEEDLE ASSY	1				





**FIG. 8 CRANKCASE**



  
7VV1010-A081

REF. NO.	PART NO.	DESCRIPTION	7CG3				REMARKS
1	7VV-15111-02	CRANKCASE 1	1				
2	93102-20008	OIL SEAL	1				
3	95607-06615	BOLT, STUD	2				
4	90116-06033	BOLT, STUD	2				
5	J38-11116-00	JOINT, BREATHER	1				
6	7VV-15407-00	ELEMENT 1	1				
7	99530-08012	PIN, DOWEL	2				
8	7VV-15121-00	CRANKCASE 2	1				
9	93306-00415	BEARING	1				
10	93102-20366	OIL SEAL	1				
11	90105-05006	BOLT, FLANGE	8				
12	7X9-15363-00	PLUG, OIL	1				
13	93210-15414	O-RING	1				

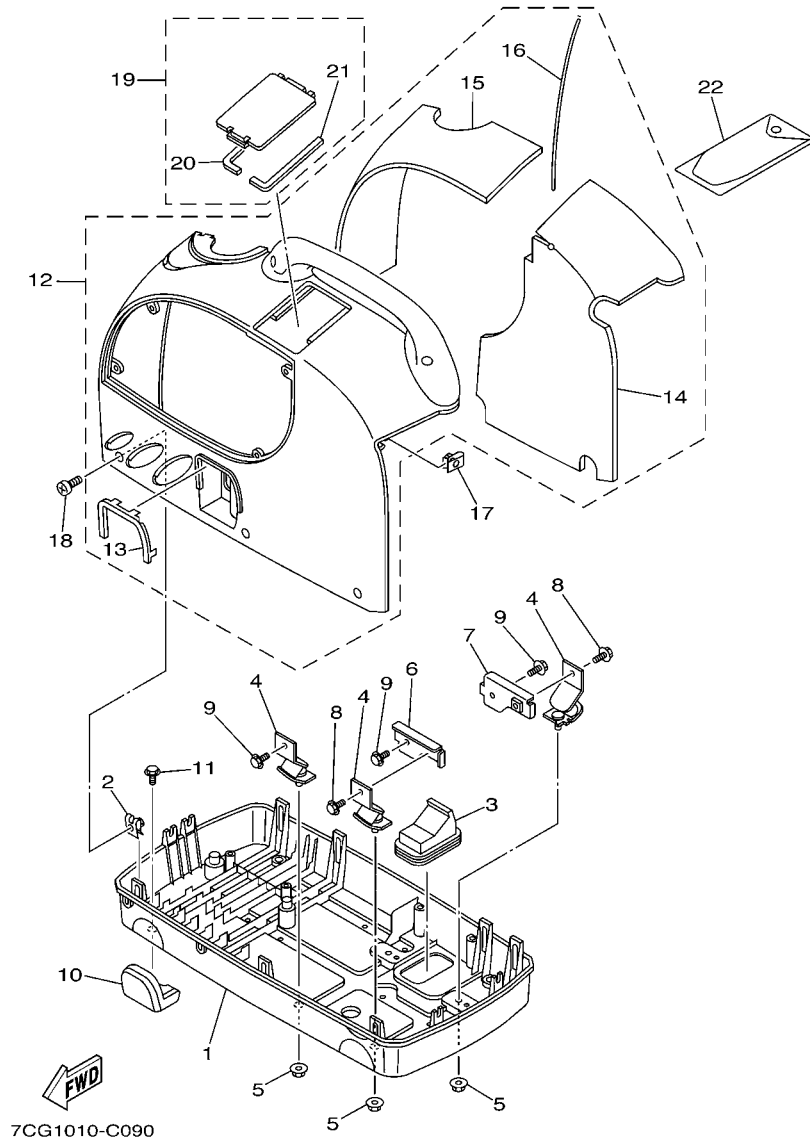
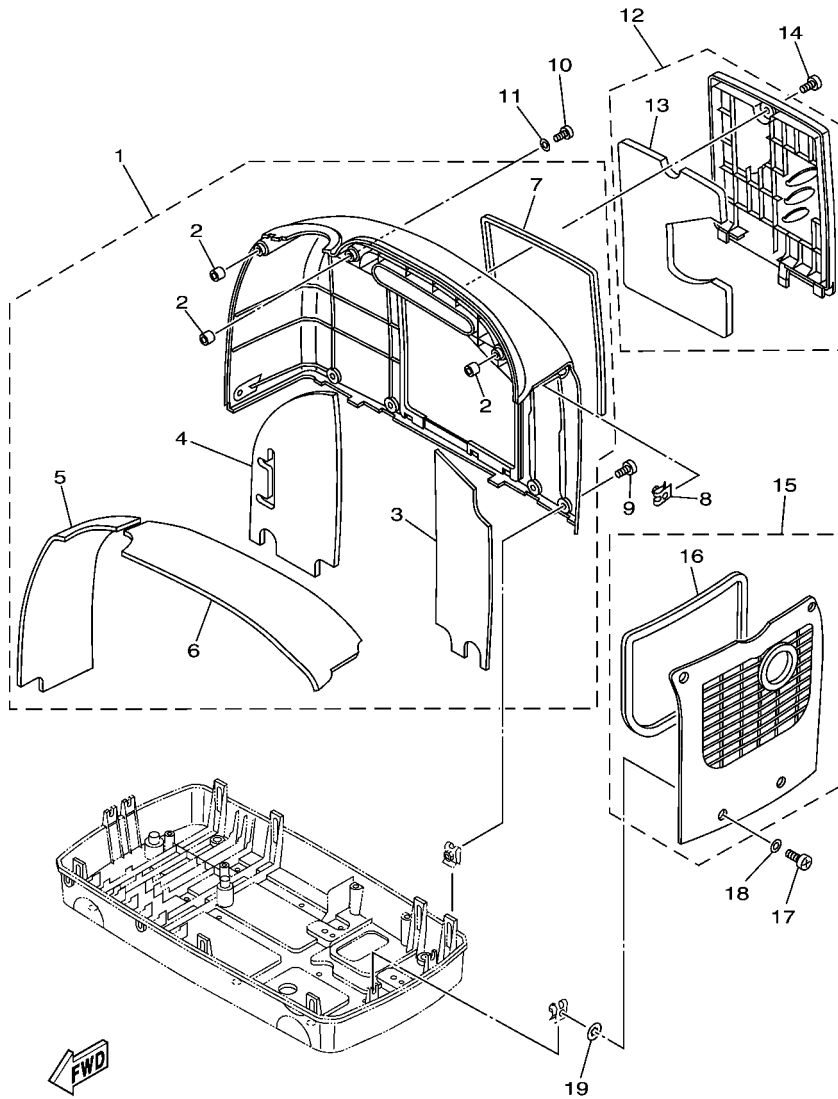


FIG. 9 FRAME

REF. NO.	PART NO.	DESCRIPTION	7CG3				REMARKS
1	7VV-22881-01	BASE, MOUNTING	1				
2	90183-05076	NUT, SPRING	11				
3	7VV-67617-00	JOINT, DRAIN	1				
4	7VV-22891-00	INSULATOR, MOUNTING	4				
5	95707-06500	NUT, FLANGE	4				
6	7CG-11011-00	BRACKET, ENGINE 1	1				
7	7CG-11012-00	BRACKET, ENGINE 2	1				
8	95817-06008	BOLT, FLANGE	2				
9	95817-06012	BOLT, FLANGE	4				
10	7VV-22895-00	INSULATOR, MOUNTING	4				
11	90105-05002	BOLT, FLANGE	4				
12	7CG-228A0-00	COVER ASSY 1	1				
13	7VV-22825-01	.PROTECTOR 1	1				
14	7CG-22875-00	.SEAL 3	1				
15	7CG-22876-00	.SEAL 4	1				
16	7VV-23383-00	.COVER, DUST SEAL 1	1				
17	90183-05061	NUT, SPRING	1				
18	7CG-23119-00	SCREW	4				
19	7VV-228C0-00	COVER ASSY 3	1				
20	7VV-22886-00	.SEAL 9	1				
21	7VV-22887-00	.SEAL 10	1				
22	7VV-28100-00	TOOL KIT	1				

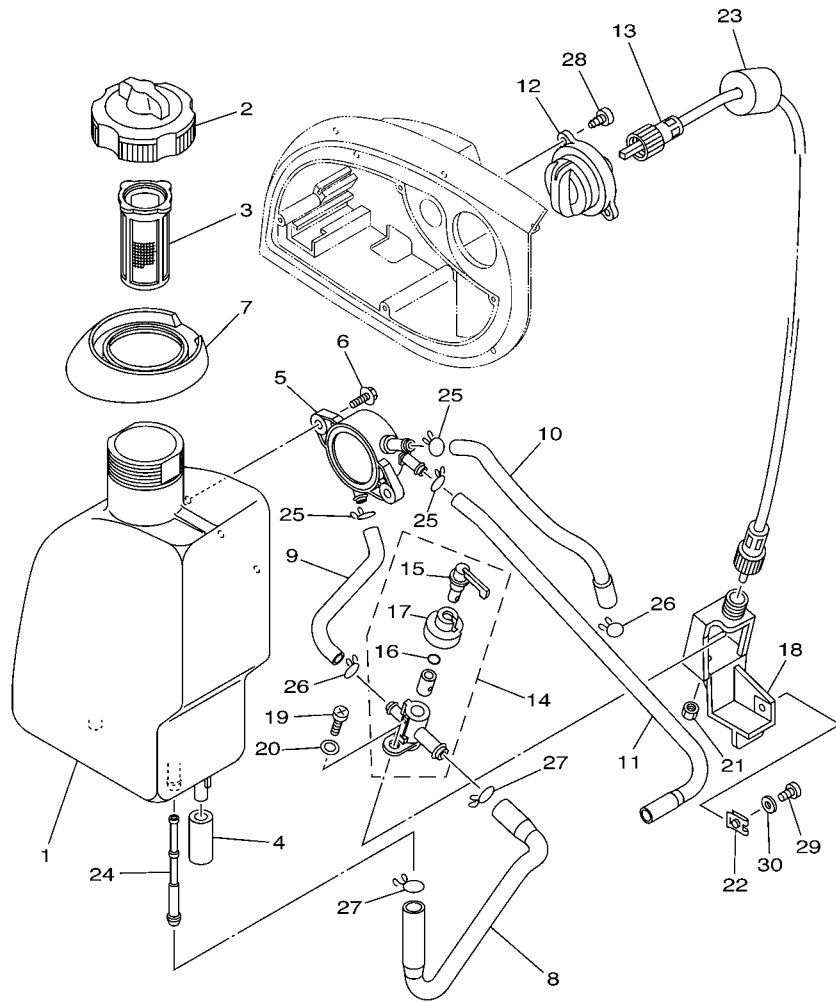




7CG3300-C100

FIG. 10 FRAME 2

REF. NO.	PART NO.	DESCRIPTION	7CG3				REMARKS
1	7CG-228B0-00	COVER ASSY 2	1				
2	7VV-23364-00	.COLLAR 2	3				
3	7CG-22878-00	.SEAL 6	1				
4	7VV-22879-00	.SEAL, 7	1				
5	7CG-22885-00	.SEAL 8	1				
6	7CG-22897-00	.SEAL 14	1				
7	7VV-22896-00	.SEAL 13	1				
8	90183-05061	NUT, SPRING	1				
9	7CG-23119-00	SCREW	5				
10	98507-05012	SCREW, PAN HEAD	3				
11	92907-05600	WASHER, PLATE	3				
12	7VV-228D0-00	COVER ASSY 4	1				
13	7VV-22877-00	.SEAL, 5	1				
14	90149-06223	SCREW	1				
15	7VV-228E0-00	COVER ASSY 5	1				
16	7VV-22889-00	.SEAL 12	1				
17	98507-05012	SCREW, PAN HEAD	4				
18	92907-05600	WASHER, PLATE	4				
19	90209-04011	WASHER	4				305820 AND FOLLOWING

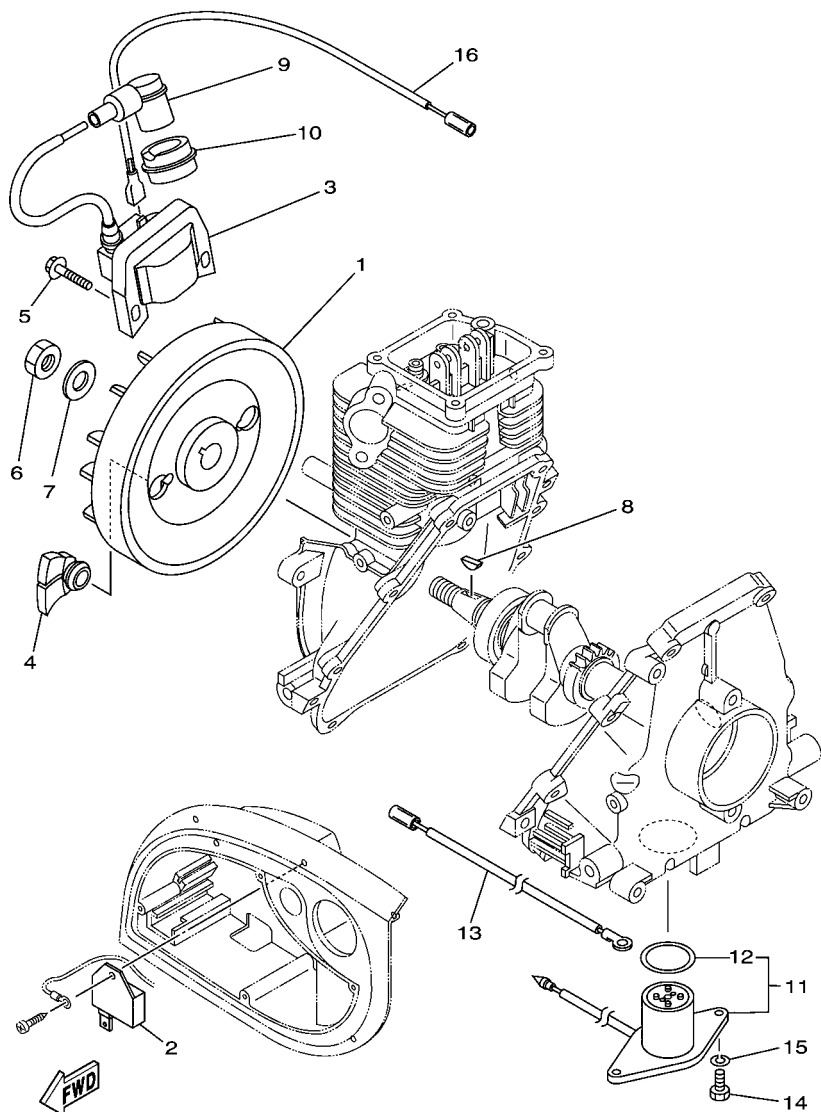


  
 7CG1010-C110

**FIG. 11 FUEL TANK**

REF. NO.	PART NO.	DESCRIPTION	7CG3				REMARKS
1	7CG-24110-01	FUEL TANK COMP.	1				
2	7VV-24610-00	CAP ASSY	1				
3	7CG-24167-00	STRAINER	1				
4	7VV-24181-00	DAMPER, LOCATING 1	2				
5	7VV-24410-00	FUEL PUMP ASSY	1				
6	95807-06014	BOLT, FLANGE	2				
7	7VV-2419A-00	HOLDER	1				
8	7VV-24311-00	PIPE, FUEL 1	1				
9	7VV-24312-00	PIPE 2	1				
10	7VV-24313-00	PIPE 3	1				
11	7VV-24314-00	PIPE 4	1				
12	7VV-24575-00	LEVER, FUEL CHANGE	1				
13	7VV-48300-00	REMOCON. CABLE ASSY.	1				
14	7VV-24500-00	FUEL COCK ASSY 1	1				
15	7VV-24524-00	.LEVER, COCK	1				
16	3H3-2452K-00	.O-RING	1				
17	7VV-24533-00	.SEAL, COCK	1				
18	7VV-24544-00	BRACKET, FUEL COCK	1				
19	98507-05012	SCREW, PAN HEAD	1				
20	92907-05600	WASHER, PLATE	1				
21	95307-05700	NUT	1				
22	90183-05076	NUT, SPRING	1				
23	7VV-24545-00	SPACER, FUEL COCK	1				
24	5BM-24514-00	NET, FILTER 1	1				
25	90467-10008	CLIP	3				
26	90467-09103	CLIP	2				
27	90467-12052	CLIP	2				

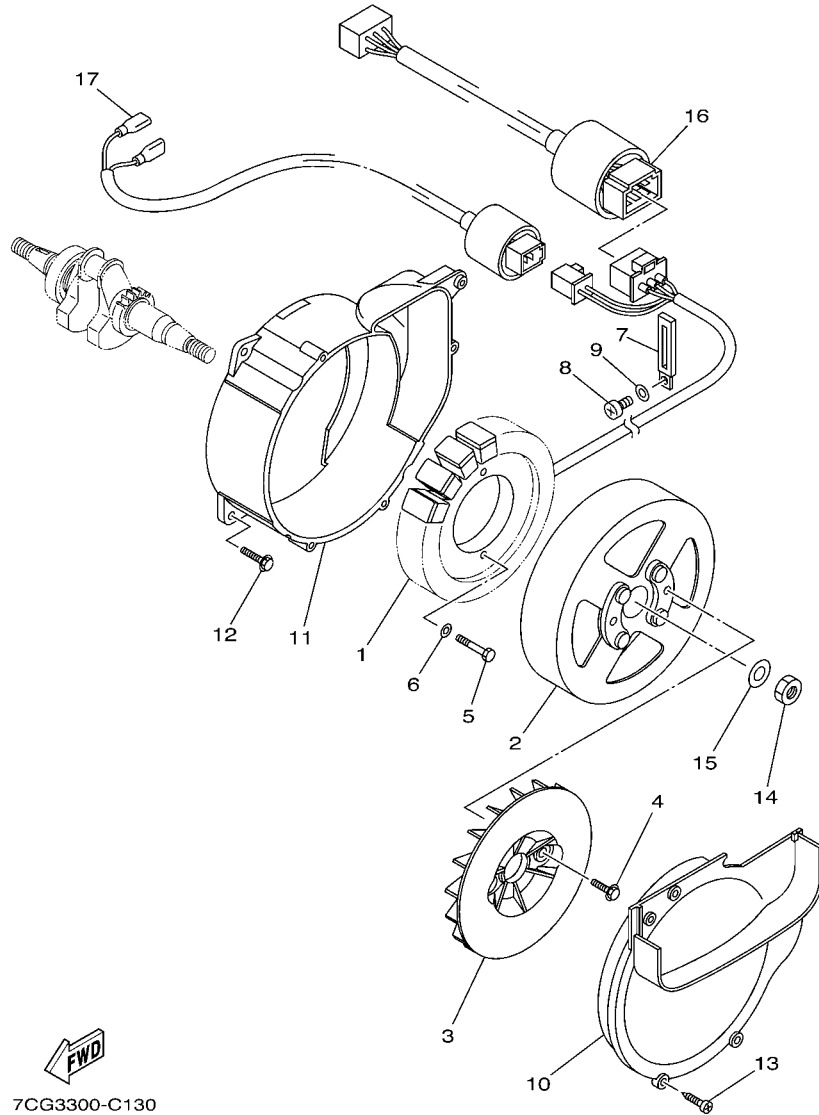




7CG1010-C122

FIG. 12 MAGNETO

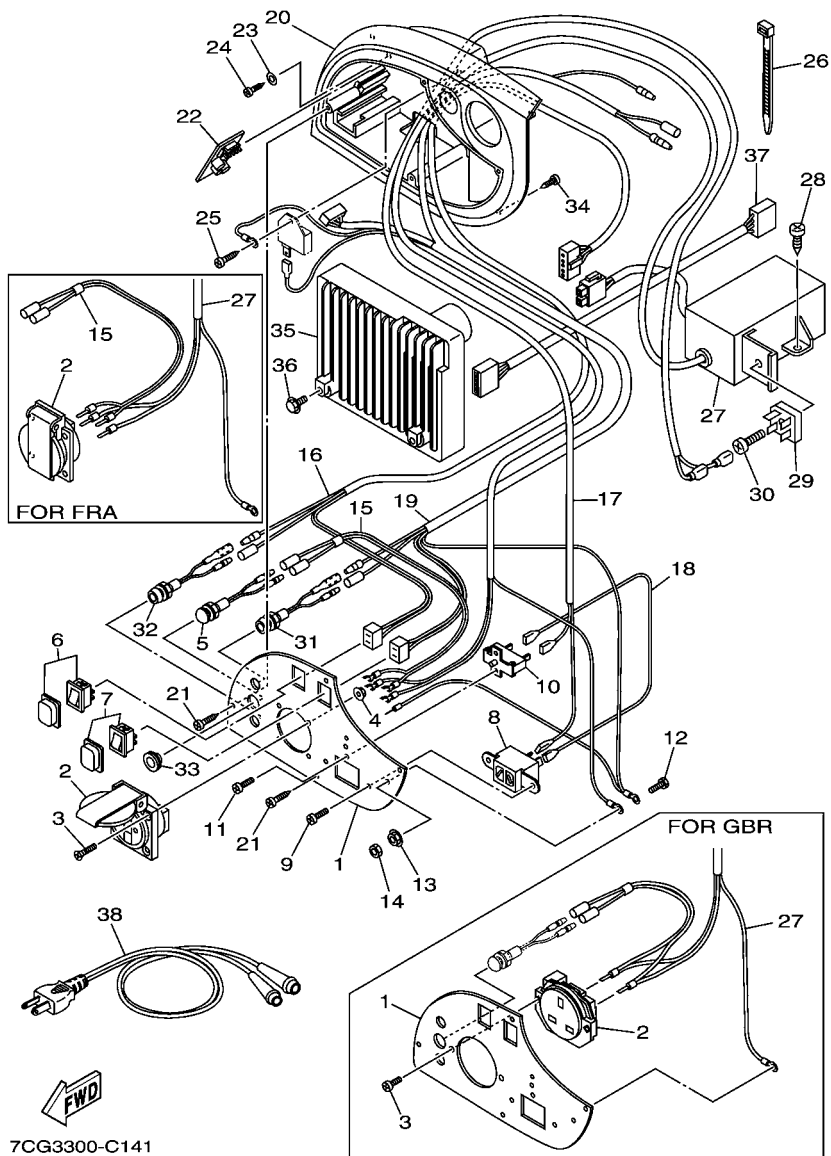
REF. NO.	PART NO.	DESCRIPTION	7CG3				REMARKS
1	7VV-85650-01	ROTOR ASSY	1				
2	7VV-85640-00	T.C.I. UNIT ASSY	1				
3	7CG-82310-00	IGNITION COIL ASSY	1				
4	7CG-82176-00	DAMPER	2				
5	90105-05005	BOLT, FLANGE	2				
6	95307-10600	NUT	1				
7	92907-10600	WASHER, PLATE	1				
8	90280-03045	KEY, WOODRUFF	1				
9	7VU-82370-00	PLUG CAP ASSY	1				
10	7VV-82372-00	SEAL, PLUG CAP	1				
11	7VV-85720-00	OIL LEVEL GAUGE ASSY	1				
12	93210-27370	.O-RING	1				
13	7CG-82519-C0	WIRE, EARTH LEAD	1				
14	97007-06014	BOLT	2				
15	92907-06100	WASHER, SPRING	2				
16	7CG-85515-C0	LEAD WIRE ASSY	1				



7CG3300-C130

FIG. 13 GENERATOR

REF. NO.	PART NO.	DESCRIPTION	7CG3				REMARKS
1	7VV-87150-90	STATOR ASSY	1				
2	7VV-87160-00	ROTOR ASSY	1				
3	7VV-87172-00	FAN, GENERATOR	1				
4	95807-06012	BOLT, FLANGE	2				
5	97027-06025	BOLT, HEXAGON	2				
6	92907-06600	WASHER, PLATE	2				
7	90462-06007	CLAMP	1				
8	98507-05010	SCREW, PAN HEAD	1				
9	92907-05600	WASHER, PLATE	1				
10	7CG-87174-00	COVER, REAR END	1				
11	7VV-8718K-01	COVER, FRONT	1				
12	90105-05361	BOLT, FLANGE	3				
13	97707-50016	SCREW, TRUSS HEAD TAPPING	4				
14	95317-10600	NUT	1				
15	92907-10600	WASHER, PLATE	1				
16	7VV-8A531-A0	WIRE COMPLETE 1	1				
17	7VV-8A532-A0	WIRE COMPLETE 2	1				



7CG3300-C141

FIG. 14 CONTROL BOX

REF. NO.	PART NO.	DESCRIPTION	7CG3			REMARKS
1	7CG-87249-A1	PLATE	1			FOR DEU/FRA
	7CG-87249-50	PLATE	1			FOR GBR
2	7H7-87221-81	RECEPTACLE 1 (250V-16A)	1			FOR DEU, (ABL)
	7CF-87221-60	RECEPTACLE 1(1462002 250V-16A)	1			FOR FRA, (ABL)
	7Y2-87221-50	RECEPTACLE 1 (DELTA NO.3006)	1			FOR GBR
3	90151-03032	SCREW, COUNTERSUNK	4			FOR DEU/FRA
	90150-04016	SCREW, ROUND HEAD	2			FOR GBR
4	90179-03478	NUT	4			FOR DEU/FRA
5	7NJ-83530-G0	PILOT LIGHT ASSY	1			
6	7XX-82550-00	ENGINE STOP SWITCH ASSY	1			
7	7CG-82550-C0	ENGINE STOP SWITCH ASSY	1			
8	7LG-87239-00	RECEPTACLE COMP. (DC 24V-12A)	1			NIPPON LOCK
9	98507-04008	SCREW, PAN HEAD	2			
10	7VV-82181-00	CIRCUIT BREAKER COMP. (8A)	1			HOSIDEN
11	98507-03008	SCREW, PAN HEAD	2			
12	97080-05014	BOLT	1			
13	95707-05500	NUT, FLANGE	1			
14	95380-05700	NUT	1			
15	7VV-8722W-A0	WIRE, LEAD 6	1			FOR DEU
	7CG-8722W-60	WIRE, LEAD 6	1			FOR FRA
16	7CG-8722X-40	WIRE, LEAD 5	1			
17	7CG-87224-00	WIRE, LEAD 2	1			
18	7VV-87223-00	WIRE, LEAD 1	1			
19	7CG-82507-90	WIRE, LEAD	1			
20	7VV-87213-00	COVER, CONTROL BOX	1			
21	97707-40512	SCREW, TAPPING	4			
22	7CG-85680-01	SPEED LIMITER ASSY	1			

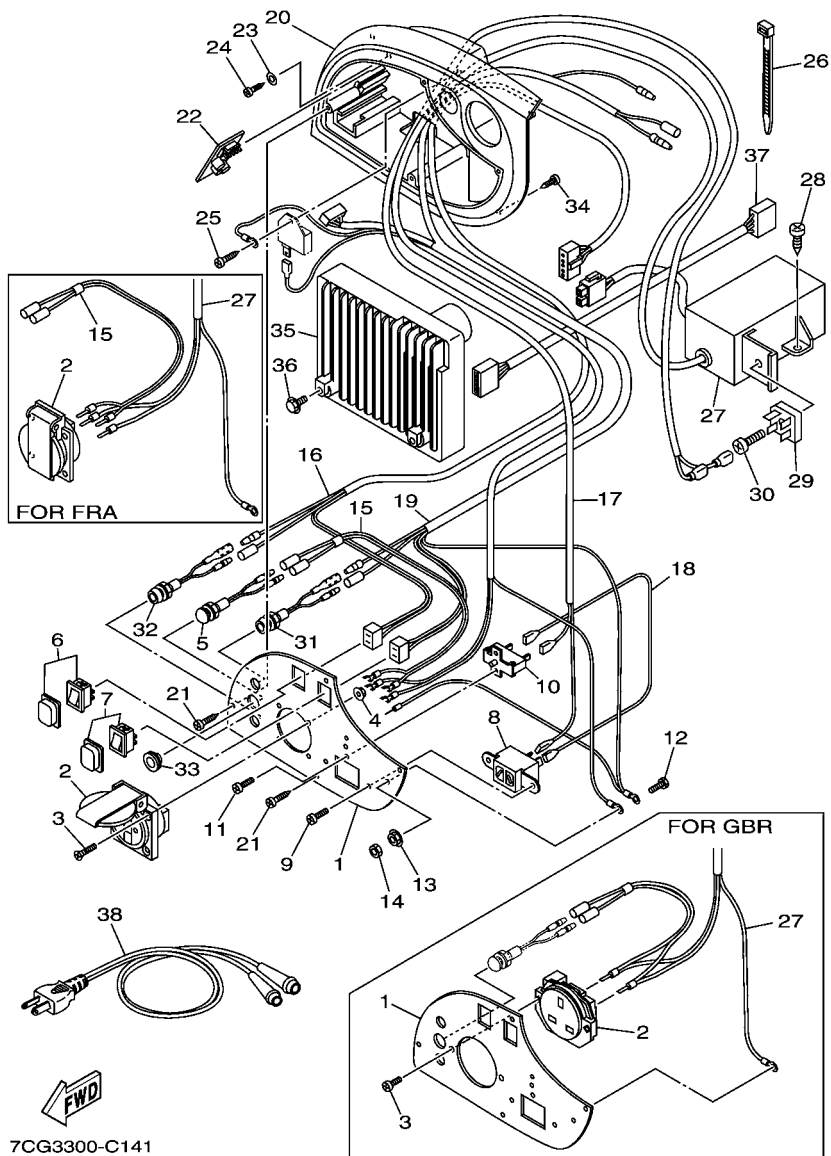


FIG. 14 CONTROL BOX

REF. NO.	PART NO.	DESCRIPTION	7CG3				REMARKS
23	90201-03013	WASHER, PLATE	1				
24	97707-30512	SCREW, TAPPING	1				
25	97707-40512	SCREW, TAPPING	1				
26	7CG-87229-00	BAND	1				
27	7VV-88188-00	FILTER, NOISE	1				FOR DEU
	7VV-88188-10	FILTER, NOISE	1				FOR FRA
	7CG-88188-50	FILTER, NOISE	1				FOR GRB
28	97707-60512	SCREW, TAPPING	2				
29	7VU-87105-00	RECTIFIER ASSY 1	1				
30	98507-05014	SCREW, PAN HEAD	1				
31	7CH-83582-C1	PILOT LIGHT ASSY	1				
32	7CH-83582-C1	PILOT LIGHT ASSY	1				
33	90480-13012	GROMMET	1				
34	97707-50016	SCREW, TRUSS HEAD TAPPING	4				
35	7CG-8A210-22	CONTROL UNIT	1				
36	95807-06012	BOLT, FLANGE	2				
37	7VV-82509-00	WIRE, SUB LEAD	1				
38	7LG-87209-00	CHARGE CORD ASSY	1				





NUMERICAL INDEX

PART NO.	REF. NO.	PART NO.	REF. NO.	PART NO.	REF. NO.	PART NO.	REF. NO.	PART NO.	REF. NO.	PART NO.	REF. NO.
7CG-11011-00	9 - 6	7VV-14197-00	6 - 29	7CG-22876-00	9 - 15	7VV-28176-30	15 - 2	90105-05002	4 - 8	93210-15414	8 - 13
7CG-11012-00	9 - 7	127-14198-00	6 - 22	7VV-22877-00	10 - 13	7VV-48300-00	11 - 13		4 - 17	93210-27370	12 - 12
J38-11116-00	8 - 5	7NJ-14211-00	6 - 24	7CG-22878-00	10 - 3	7VV-67617-00	9 - 3		4 - 31	93306-00415	8 - 9
7VV-11166-00	1 - 5	73A-14212-00	6 - 9	7VV-22879-00	10 - 4	7CF-81802-09	6 - 12		5 - 9	93450-11120	2 - 7
7VV-11190-00	1 - 2		6 - 25	7VV-22881-01	9 - 1	7CG-82176-00	12 - 4		9 - 11	93604-42002	3 - 11
7VV-11193-00	1 - 3	7G5-14227-00	6 - 6	7CG-22885-00	10 - 5	7VV-82181-00	14 - 10	90105-05005	12 - 5	93605-30002	3 - 6
7VV-11400-00	2 - 1	1HX-1423E-23-A0	6 - 21	7VV-22886-00	9 - 20	7CG-82310-00	12 - 3	90105-05006	8 - 11	94702-00419	1 - 1
7VV-11610-00	2 - 5	7VU-14293-00	6 - 11	7VV-22887-00	9 - 21	7VU-82370-00	12 - 9	90105-05361	1 - 4	95307-05700	11 - 21
7VV-11631-00	2 - 4	7VV-14411-00	5 - 5	7VV-22889-00	10 - 16	7VV-82372-00	12 - 10		13 - 12	95307-06600	7 - 7
2E9-11633-00	2 - 6	7VV-14412-00	5 - 6	7VV-22891-00	9 - 4	7CG-82507-90	14 - 19	90116-06033	8 - 4	95307-10600	12 - 6
7VV-11650-01	2 - 2	7X9-14416-10	5 - 4	7VV-22895-00	9 - 10	7VV-82509-00	14 - 37	90149-06223	10 - 14	95317-10600	13 - 14
7VV-11654-00	2 - 3	7VV-14451-00	5 - 7	7VV-22896-00	10 - 7	7CG-82519-C0	12 - 13	90150-04016	14 - 3	95380-05700	14 - 14
7CG-12111-C0	3 - 3	7VV-14453-00	5 - 10	7CG-22897-00	10 - 6	7XG-82550-00	14 - 6	90151-03032	14 - 3	95607-06615	8 - 3
7VV-12117-00	3 - 9	7VV-14462-00	5 - 8	7CG-228A0-00	9 - 12	7CG-82550-C0	14 - 7	90153-05024	7 - 6	95707-05500	14 - 13
1HX-12119-00	3 - 15	7VV-14485-00	5 - 11	7CG-228B0-00	10 - 1	7NJ-83530-G0	14 - 5	90170-05302	3 - 13	95707-06500	5 - 14
7CG-12121-C0	3 - 4	7RH-14486-00	6 - 2	7VV-228C0-00	9 - 19	7CH-83582-C1	14 - 31	90179-03478	14 - 4		9 - 5
7CG-12141-C0	3 - 5	7VV-14613-00	7 - 8	7VV-228D0-00	10 - 12		14 - 32	90183-05061	9 - 17	95807-06012	13 - 4
7VV-12151-00	3 - 10	7VV-1469A-00	4 - 2	7VV-228E0-00	10 - 15	7CG-85515-C0	12 - 16		10 - 8		14 - 36
7VV-12154-00	3 - 14	7VV-1469E-00	4 - 3	7CG-23119-00	9 - 18	7VV-85640-00	12 - 2	90183-05076	9 - 2	95807-06014	11 - 6
7VV-12159-00	3 - 12	7VV-1469F-00	4 - 4		10 - 9	7VV-85650-01	12 - 1		11 - 22	95817-06008	9 - 8
7VV-12170-02	3 - 1	7VV-14721-00	7 - 1	7VV-23364-00	10 - 2	7CG-85680-01	14 - 22	90201-03013	14 - 23	95817-06012	9 - 9
7VV-12287-01	3 - 2	7VV-14786-00	7 - 2	7VV-23383-00	9 - 16	7VV-85720-00	12 - 11	90209-04011	10 - 19	95827-06012	7 - 9
7VV-12486-00	4 - 18	7NJ-14788-00	7 - 4	7CG-24110-01	11 - 1	7VU-87105-00	14 - 29	90280-03045	12 - 8	97007-06014	12 - 14
7VV-12620-00	4 - 1	7VV-1478A-00	4 - 12	7VV-24156-00	15 - 5	7VV-87150-90	13 - 1	90387-05624	3 - 7	97027-06025	13 - 5
7VV-12650-00	4 - 11	7VV-1478E-00	4 - 13	7VV-24161-10	15 - 1	7VV-87160-00	13 - 2	90387-05679	4 - 10	97080-05014	14 - 12
7VV-12668-00	4 - 5	7VV-1478F-00	4 - 14	7VV-24161-30	15 - 4	7VV-87172-00	13 - 3	90413-05015	6 - 30	97707-30512	14 - 24
7VV-12669-00	4 - 16	7NJ-14799-01	7 - 3	7CG-24167-00	11 - 3	7CG-87174-00	13 - 10	90462-06007	13 - 7	97707-40014	11 - 28
7VV-12678-00	4 - 6	7NJ-1479E-00	7 - 5	7VV-24181-00	11 - 4	7VV-8718K-01	13 - 11	90467-09103	11 - 26	97707-40512	14 - 21
7VV-12679-00	4 - 15	7VV-1495E-2C	6 - 18	7VV-2419A-00	11 - 7	7LG-87209-00	14 - 38	90467-10008	11 - 25		14 - 25
7VV-13556-00	5 - 3	75J-14990-00	6 - 26	7VV-24235-01	15 - 3	7VV-87213-00	14 - 20	90467-12052	11 - 27	97707-50016	4 - 7
7G5-13556-10	5 - 2	7VV-15111-02	8 - 1	7VV-24235-02	15 - 3	7Y2-87221-50	14 - 2	90467-13064	5 - 13		4 - 19
7X9-13595-00	5 - 1	7VV-15121-00	8 - 8	7VV-24311-00	11 - 8	7CF-87221-60	14 - 2	90467-280A0	5 - 12		13 - 13
7CG-14101-00	6 - 1	7X9-15363-00	8 - 12	7VV-24312-00	11 - 9	7H7-87221-81	14 - 2	90480-13012	14 - 33		14 - 34
22F-14117-00	6 - 5	7VV-15407-00	8 - 6	7VV-24313-00	11 - 10	7VV-87223-00	14 - 18	90501-16708	3 - 8	97707-50114	4 - 32
7NJ-14118-00	6 - 23	7VV-15703-00	4 - 21	7VV-24314-00	11 - 11	7CG-87224-00	14 - 17	92907-05600	10 - 11	97707-60512	14 - 28
127-14134-00	6 - 3	7VV-15710-00	4 - 20	7VV-24410-00	11 - 5	7CG-87229-00	14 - 26		10 - 18	98507-03008	14 - 11
7VV-14137-00	6 - 31	7VV-15713-00	4 - 22	4SV-24453-00	6 - 13	7CG-8722W-60	14 - 15		11 - 20	98507-04008	14 - 9
3LD-14139-00	6 - 34	7VV-15714-00	4 - 23	7VV-24500-00	11 - 14	7VV-8722W-A0	14 - 15		11 - 30	98507-05008	6 - 14
8A7-14139-00	6 - 33	7VV-15715-00	4 - 24	5BM-24514-00	11 - 24	7CG-8722X-40	14 - 16		13 - 9	98507-05010	13 - 8
620-14142-32-A0	6 - 10	7VV-15716-00	4 - 25	7VV-24524-00	11 - 15	7LG-87239-00	14 - 8	92907-06100	12 - 15	98507-05012	6 - 35
7VV-14150-00	6 - 27	7VV-15741-00	4 - 26	3H3-2452K-00	11 - 16	7CG-87249-50	14 - 1	92907-06600	13 - 6		10 - 10
7CG-14162-00	6 - 19	7VV-15751-00	4 - 28	7VV-24533-00	11 - 17	7CG-87249-A1	14 - 1	92907-10600	12 - 7		10 - 17
7CG-14181-00	6 - 4	7VV-15755-00	4 - 29	7VV-24544-00	11 - 18	7VV-88188-00	14 - 27		13 - 15		11 - 19
7X9-14185-00	6 - 7	7VV-15788-00	4 - 30	7VV-24545-00	11 - 23	7VV-88188-10	14 - 27	92990-04100	6 - 17		11 - 29
22F-14186-00	6 - 20	7VV-15793-00	4 - 27	7VV-24575-00	11 - 12	7CG-88188-50	14 - 27	92990-05100	6 - 15	98507-05014	14 - 30
7E1-14191-00	6 - 8	7CG-21696-30	15 - 6	7VV-24610-00	11 - 2	7CG-8A210-22	14 - 35		6 - 36	98580-04010	6 - 16
7VV-14196-01	6 - 32	7VV-22825-01	9 - 13	7VV-26331-00	5 - 15	7VV-8A531-A0	13 - 16	93102-20008	8 - 2	98907-05014	4 - 9
7VV-14196-10	6 - 28	7CG-22875-00	9 - 14	7VV-28100-00	9 - 22	7VV-8A532-A0	13 - 17	93102-20366	8 - 10	99530-08012	8 - 7