



# PARTS CATALOGUE

## EF2000iS (7PB3) DEU, FRA

---



1M7PB-300E1

( )

EF2000iS  
PARTS CATALOGUE  
©2013 by Yamaha Motor Co., Ltd.  
1st edition, December 2013  
All rights reserved.  
Any reprinting or unauthorized use  
without the written permission of  
Yamaha Motor Co., Ltd.  
is expressly prohibited.  
Printed in Japan.

# FOREWORD

This Parts Catalogue is related to the parts for the model(s) on the cover page. When you are ordering replacement parts, please refer to this Parts Catalogue and quote both part numbers and part names correctly.

1. Modifications or additions which have been made after the issue of the Parts Catalogue will be announced in the Parts News.

It is advisable that you make the necessary corrections to the Parts Catalogue according to the Parts News.

2. Abbreviations

The following abbreviations are used in this Parts Catalogue.

“UR” Use specified parts number.

“UN” Use as many as needed.

“AP” Alternate Parts

“LM” Locally Made (Parts need to be ordered locally)

“F#” Frame No. (Applicable machine No.)

“O/S” Over Size

3. The number of components for assembly

- Parts, which are to be supplied in an assembly, are listed with a dot (.) in front of the part name as shown below.
- The numeral appearing to the right of each component part indicates the quantity of parts for each assembly unit.

PART NO.	DESCRIPTION	Q'TY	REMARKS
2F5-83310-60	FRONT FLASHER LIGHT ASSY	2	
115-83311-60	.BULB (6V-18W)	1	

4. Applicable colours of graphics are represented in the “REMARKS” as shown below.

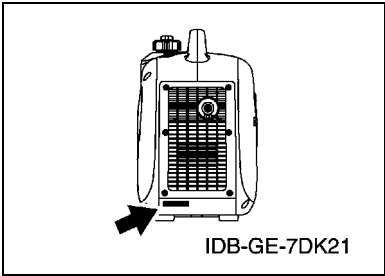
PART NO.	DESCRIPTION	Q'TY	REMARKS
2N4-24110-00-X5	FUEL TANK COMP.	2	MXR
3J1-24240-10	.GRAPHIC, FUEL TANK	1	FOR MXR

5. Note that the illustrations for reference in finding parts numbers are not to be used for assembling. When assembling, please use the applicable service manual.

6. The asterisk (\*) before a reference number indicates modified items after the first edition.

# FOREWORD

7. Applicable Serial No.  
 Frame Serial No.



8. Applicable Colour Code (The (\*) mark shows Model colour.)

Abbreviation	Colour Name	Colour Code
PBS3(*)	PURPLISH BLUE SOLID 3	0714

9. Applicable Starting Serial No.  
 \*\*\*\*\*Serial NO.

Model	Model Code	Destination	Voltage	Serial NO.
EF2000iS	7PB3	DEU	230V-50Hz	7PB-0300101
EF2000iS	7PB3	FRA	230V-50Hz	7PB-0310101

# CONTENTS

CYLINDER .....	1
CRANKSHAFT & PISTON .....	2
CAMSHAFT & VALVE .....	3
AIR SHROUD & STARTER .....	4
INTAKE .....	5
CARBURETOR .....	6
EXHAUST .....	7
CRANKCASE .....	8
FRAME .....	9
FRAME 2 .....	11
FUEL TANK .....	13
TCI MAGNETO .....	14
GENERATOR .....	15
CONTROL BOX 1 .....	16
CONTROL BOX 2 .....	18
GRAPHIC & EMBLEM .....	20

## INDEX

NUMERICAL INDEX .....	21
-----------------------	----

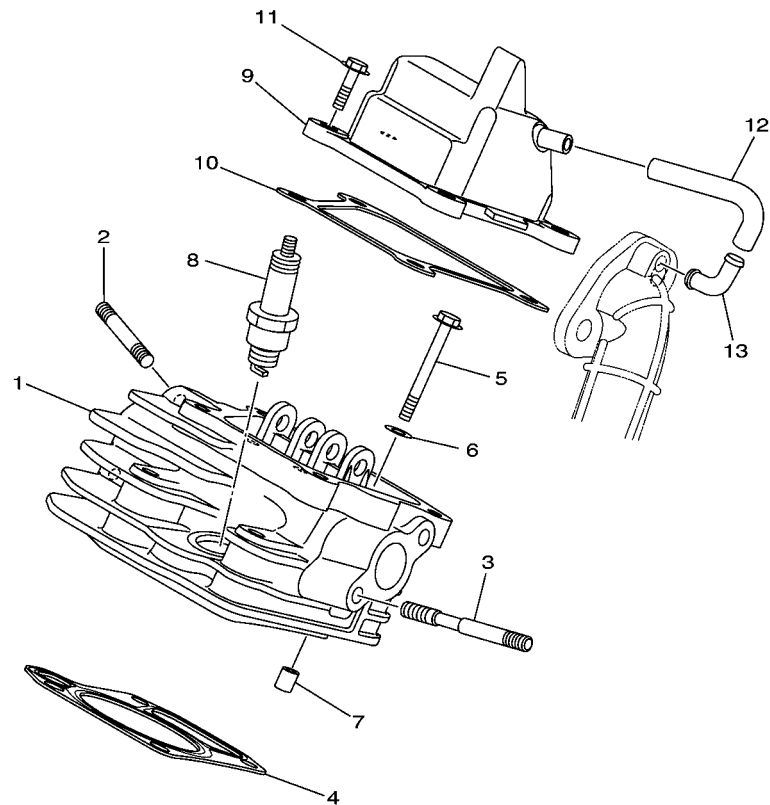
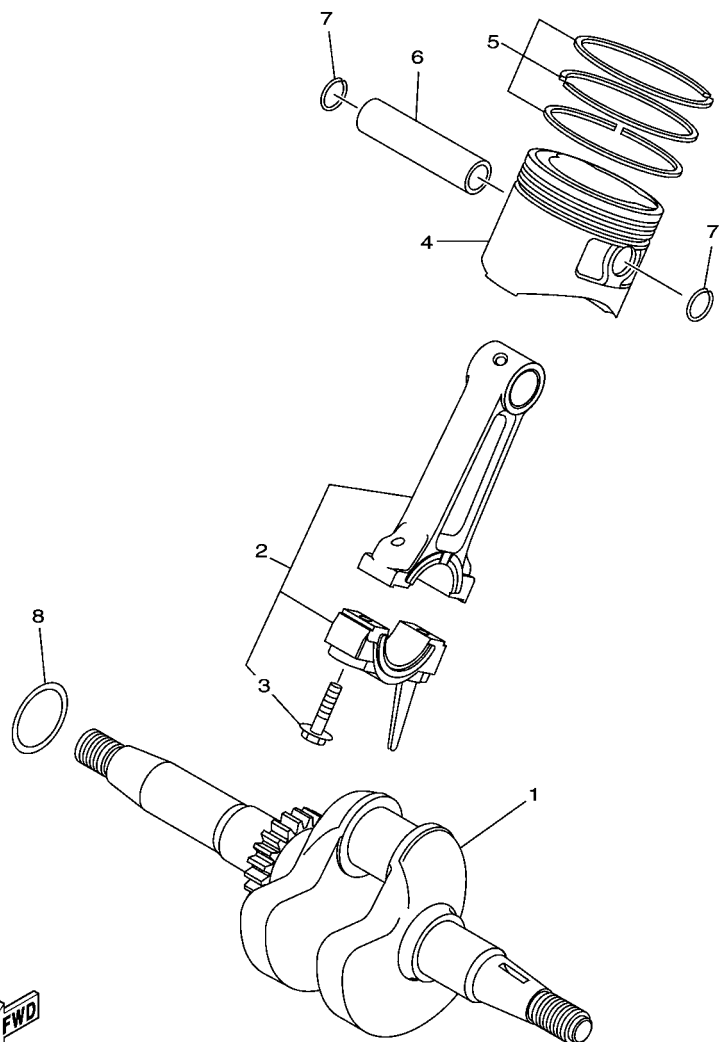


FIG. 1 CYLINDER

REF. NO.	PART NO.	DESCRIPTION	DEU	FRA			REMARKS
1	7DX-E1111-01	HEAD, CYLINDER 1	1	1			
2	95602-06615	BOLT, STUD	2	2			
3	7DX-E1179-00	BOLT, STUD	2	2			
4	7CY-E1181-00	GASKET, CYLINDER HEAD 1	1	1			
5	95822-06050	BOLT, FLANGE	4	4			
6	92902-06200	WASHER	2	2			
7	99530-08012	PIN, DOWEL	2	2			
8	94702-00821	PLUG, SPARK (NGK BPR6HS)	1	1			
9	7DX-E1190-00	COVER, CYLINDER HEAD 1	1	1			
10	7DX-E1351-00	GASKET, CYLINDER	1	1			
11	95822-06016	BOLT, FLANGE	4	4			
12	7DX-E1166-00	PIPE, BREATHER 1	1	1			
13	7DX-E111J-00	PIPE 1	1	1			

  
7DK2110-H010

**FIG. 2 CRANKSHAFT & PISTON**

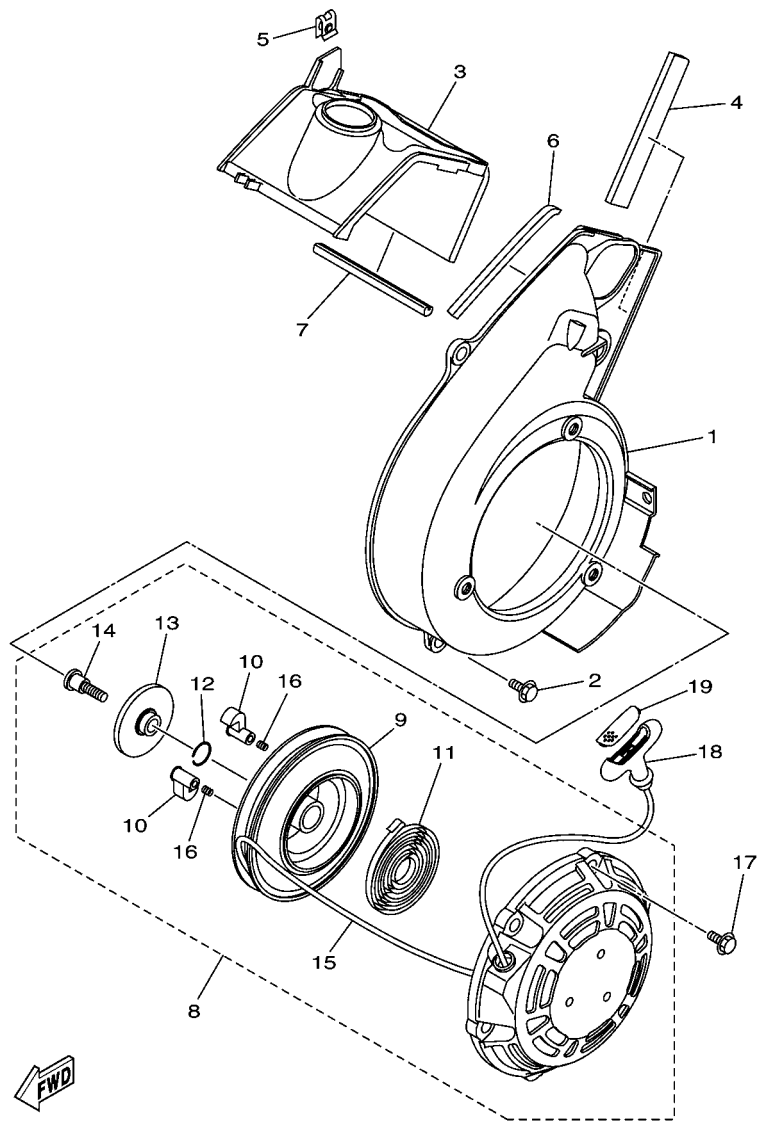


7DK2110-H020

REF. NO.	PART NO.	DESCRIPTION	DEU	FRA			REMARKS
1	7DX-E1400-10	CRANKSHAFT ASSY	1	1			
2	7DX-E1650-00	CONNECTING ROD ASSY	1	1			
3	7DX-E1654-00	.BOLT, CONNECTING ROD	2	2			
4	7DX-E1631-00-A0	PISTON (STD)	1	1			
	7DX-E1635-00	PISTON (0.25MM O/S)	1	1			AP
	7DX-E1636-00	PISTON (0.50MM O/S)	1	1			AP
5	7CY-E1610-00	PISTON RING SET (STD)	1	1			
	7CY-E1610-10	PISTON RING SET (0.25MM O/S)	1	1			AP
	7CY-E1610-20	PISTON RING SET (0.50MM O/S)	1	1			AP
6	7DX-E1633-00	PIN, PISTON	1	1			
7	93450-13819	CIRCLIP	2	2			
8	7DX-E1561-00	SHIM, CRANK 1	1	1			UN



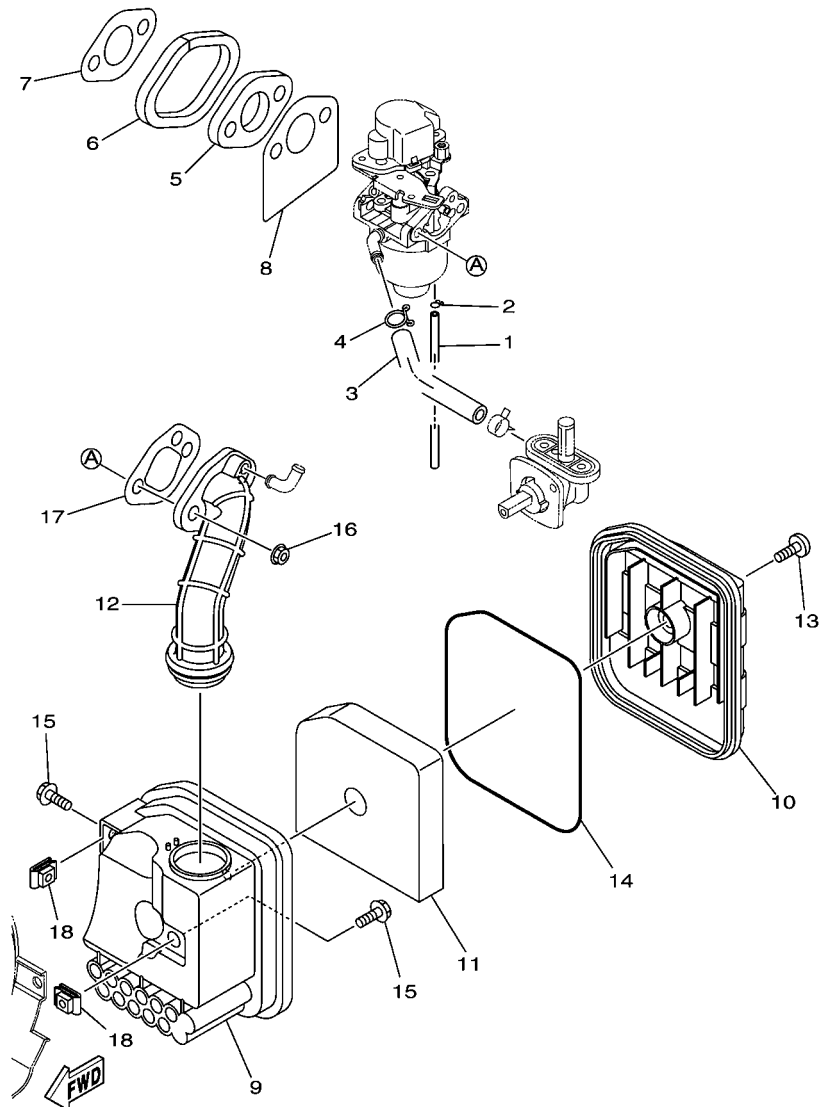




7DKF400-L040

FIG. 4 AIR SHROUD & STARTER

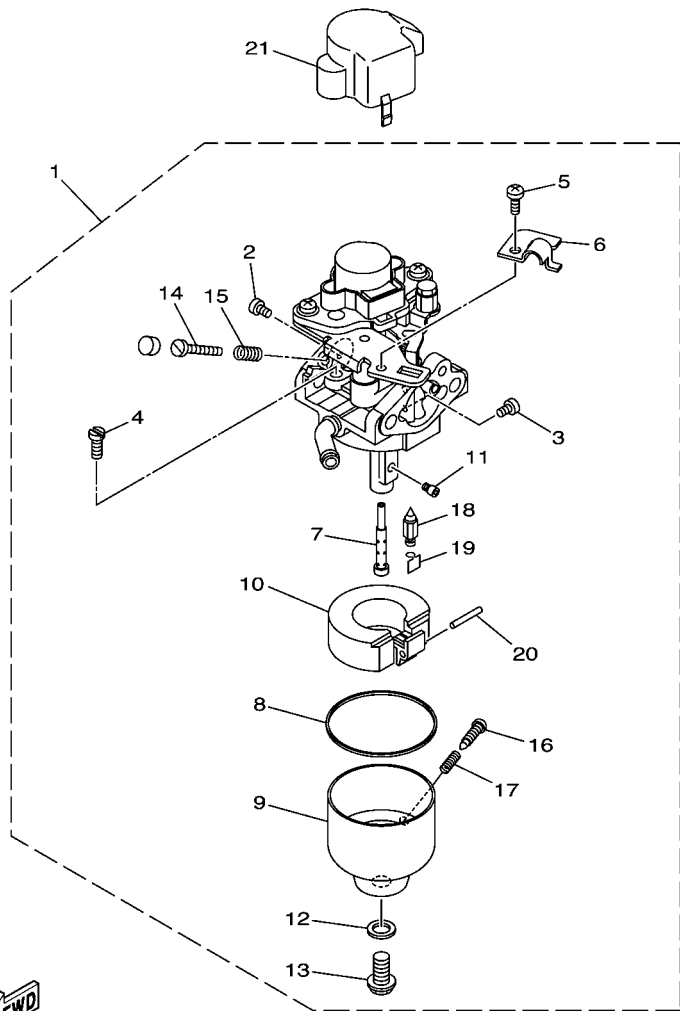
REF. NO.	PART NO.	DESCRIPTION	DEU	FRA		REMARKS
1	7DX-E2621-00	CASE, FAN	1	1		
2	95802-06016	BOLT, FLANGE	4	4		
3	7DX-E2651-00	AIR SHROUD, CYLINDER 1	1	1		
4	90520-05800	DAMPER, PLATE	1	1		
5	7DX-E261D-00	NUT SPRING 1	1	1		
6	7CP-E262J-00	PAD, FAN CASE 3	1	1		
7	90520-05801	DAMPER, PLATE	1	1		
8	7DX-E5710-00	STARTER ASSY	1	1		
9	7DX-E5714-00	.DRUM, SHEAVE	1	1		
10	7CN-E5741-01	.PAWL, DRIVE	2	2		
11	7CN-E5713-00	.SPRING, STARTER	1	1		
12	7CN-E5715-00	.SPRING, FRICTION	1	1		
13	7DX-E5716-00	.PLATE, DRIVE	1	1		
14	7DX-E5793-00	.SCREW	1	1		
15	7DX-E5751-00	.WIRE, STARTER	1	1		
16	7DX-E5734-00	.SPRING, RETURN	2	2		
17	95802-06016	BOLT, FLANGE	3	3		
18	7PB-E5755-00	HANDLE, STARTER	1	1		
19	7PB-E5720-01	CAP, HANDLE	1	1		



7PB2110-M050

FIG. 5 INTAKE

REF. NO.	PART NO.	DESCRIPTION	DEU	FRA			REMARKS
1	90446-05006	HOSE	1	1			
2	90467-05800	CLIP	1	1			
3	7DX-F4311-00	PIPE, FUEL 1	1	1			
4	90467-09804	CLIP	1	1			
5	7DX-E3595-00	JOINT	1	1			
6	7DX-E3593-00	DAMPER	1	1			
7	7DX-E3556-00	GASKET, MANIFOLD	1	1			
8	7DX-E3556-10	GASKET, MANIFOLD	1	1			
9	7DX-E4411-00	CASE, AIR CLEANER 1	1	1			
10	7DX-E4412-00	CAP, CLEANER CASE 1	1	1			
11	7DX-E4451-00	ELEMENT, AIR CLEANER	1	1			
12	7DX-E4453-01	JOINT, AIR CLEANER 1	1	1			
13	90154-06823	SCREW, BINDING	1	1			
14	7DX-E4467-00	SEAL	1	1			
15	95802-06020	BOLT, FLANGE	2	2			
16	95702-06500	NUT, FLANGE	2	2			
17	7DX-E4416-00	GASKET, AIR CLEANER	1	1			
18	90183-06808	NUT, SPRING	2	2			



 7PB2110-M060

**FIG. 6 CARBURETOR**

REF. NO.	PART NO.	DESCRIPTION	DEU	FRA			REMARKS
1	7PB-E4101-00	CARBURETOR ASSY 1	1	1			
2	7BX-E4216-00	.SCREW	1	1			
3	7BX-E4486-00	.SCREW, ROD	2	2			
4	7PB-E4A42-19	.JET, PILOT	1	1			
5	98502-05008	.SCREW, PAN HEAD	1	1			
6	7PB-E4243-00	.PLATE	1	1			
7	7PB-E4A41-00	.NOZZLE, MAIN	1	1			
8	7BX-E4184-00	.GASKET, FLOAT CHAMBER	1	1			
9	7PB-E4A81-00	.BODY, FLOAT CHAMBER 1	1	1			
10	7BX-E4185-00	.FLOAT	1	1			
11	7PB-E4A43-34	.JET, MAIN	1	1			
12	7PB-E4227-00	.WASHER	1	1			
13	7PB-E4162-00	.BOLT, HOLDING	1	1			
14	7PB-E4211-00	.SCREW, PILOT ADJUSTING	1	1			
15	7BX-E4212-00	.SPRING, PILOT ADJUSTING	1	1			
16	7BX-E4191-00	.PLUG, DRAIN	1	1			
17	7BX-E4121-00	.SCREW, THROTTLE STOP	1	1			
18	7BX-E4150-00	.NEEDLE ASSY	1	1			
19	7BX-E4159-00	.CLIP	1	1			
20	7PB-E4186-00	.PIN, FLOAT	1	1			
21	7PB-E4293-00	COVER 1	1	1			



7PB2110-M070

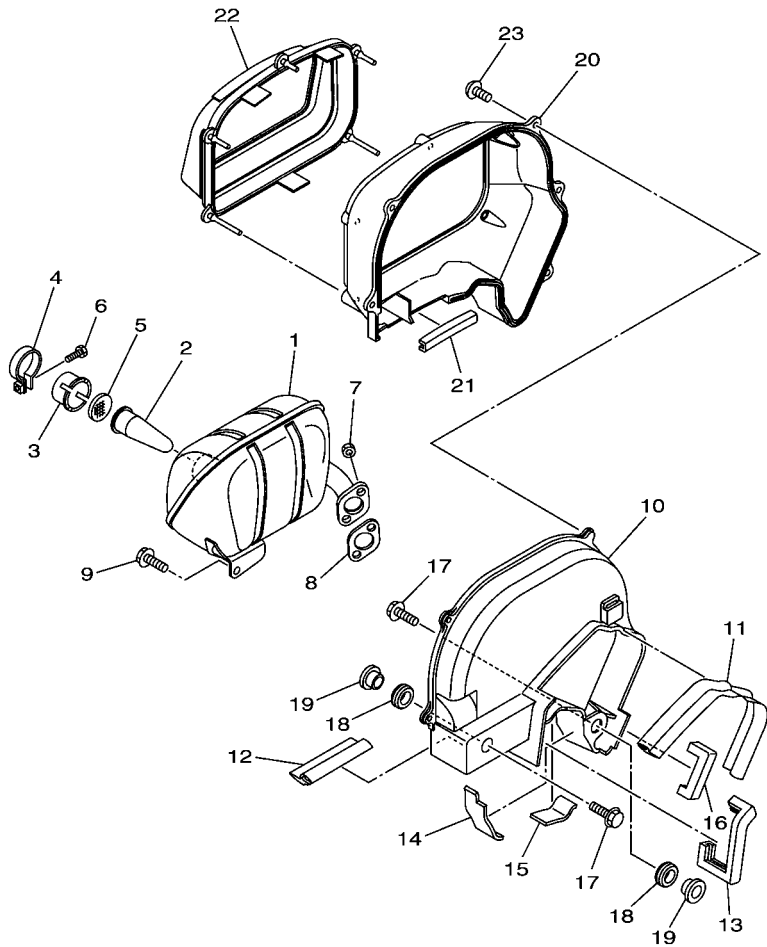
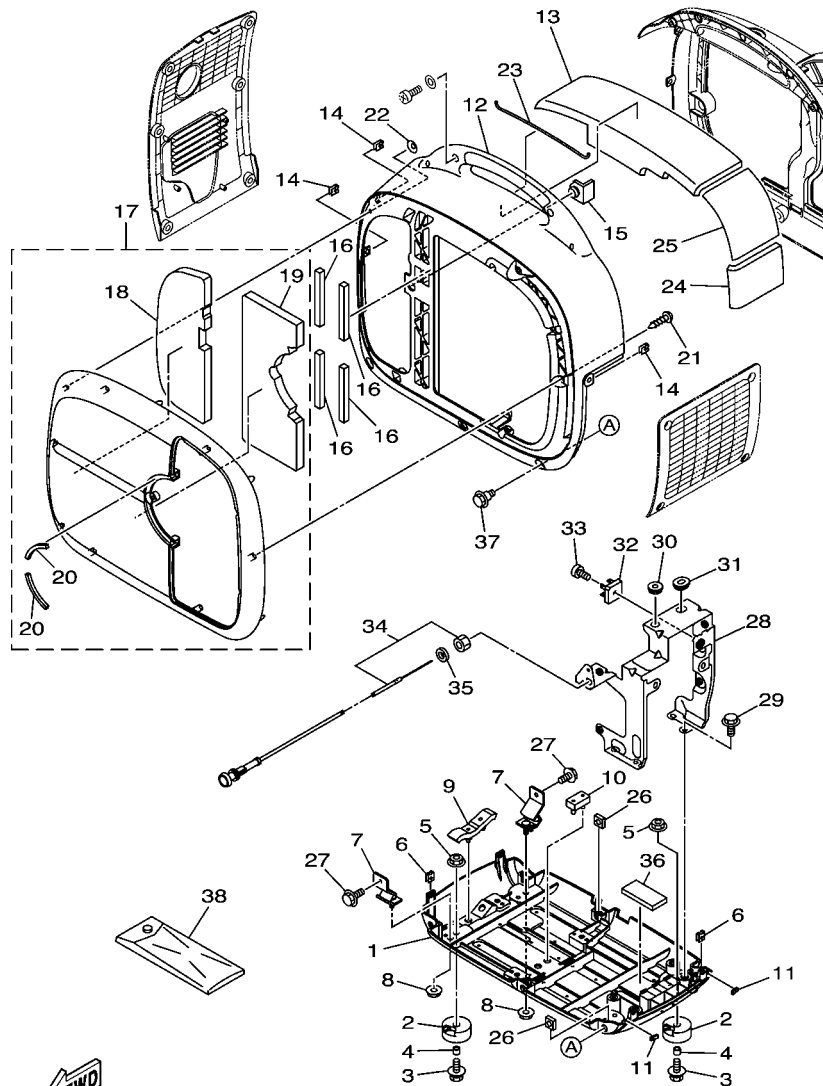


FIG. 7 EXHAUST

REF. NO.	PART NO.	DESCRIPTION	DEU	FRA			REMARKS
1	7DX-E4721-10	MUFFLER 2	1	1			
2	7DX-E4786-00	ARRESTER, SPARK	1	1			
3	7CA-E4799-00	CAP	1	1			
4	7CA-E4788-00	BAND, SILENCER	1	1			
5	7CA-E479E-00	NET, WIRE 2	1	1			
6	90153-05800	SCREW, HEXAGON	1	1			
7	95302-06600	NUT	2	2			
8	7DX-E4613-00	GASKET, EXHAUST PIPE	1	1			
9	95822-06014	BOLT, FLANGE	1	1			
10	7DX-E471C-10	PROTECTOR ASSY 1	1	1			
11	7DX-E4452-00	SEAL	1	1			
12	7DX-E4457-00	SEAL	1	1			
13	7DX-E5494-00	SEAL, PROTECTOR	1	1			
14	7DX-E5496-00	SEAL, PROTECTOR 2	1	1			
15	7DX-E549D-00	SEAL, PROTECTOR	1	1			
16	7DX-E5495-00	SEAL, PROTECTOR 1	1	1			
17	95822-06016	BOLT, FLANGE	2	2			
18	90480-12237	GROMMET	2	2			
19	90387-068L2	COLLAR	2	2			
20	7DX-E472C-10	PROTECTOR ASSY., 2	1	1			
21	7DX-E5495-00	SEAL, PROTECTOR 1	1	1			
22	7DX-E2691-00	DUCT 1	1	1			
23	97702-50014	SCREW, TAPPING	5	5			

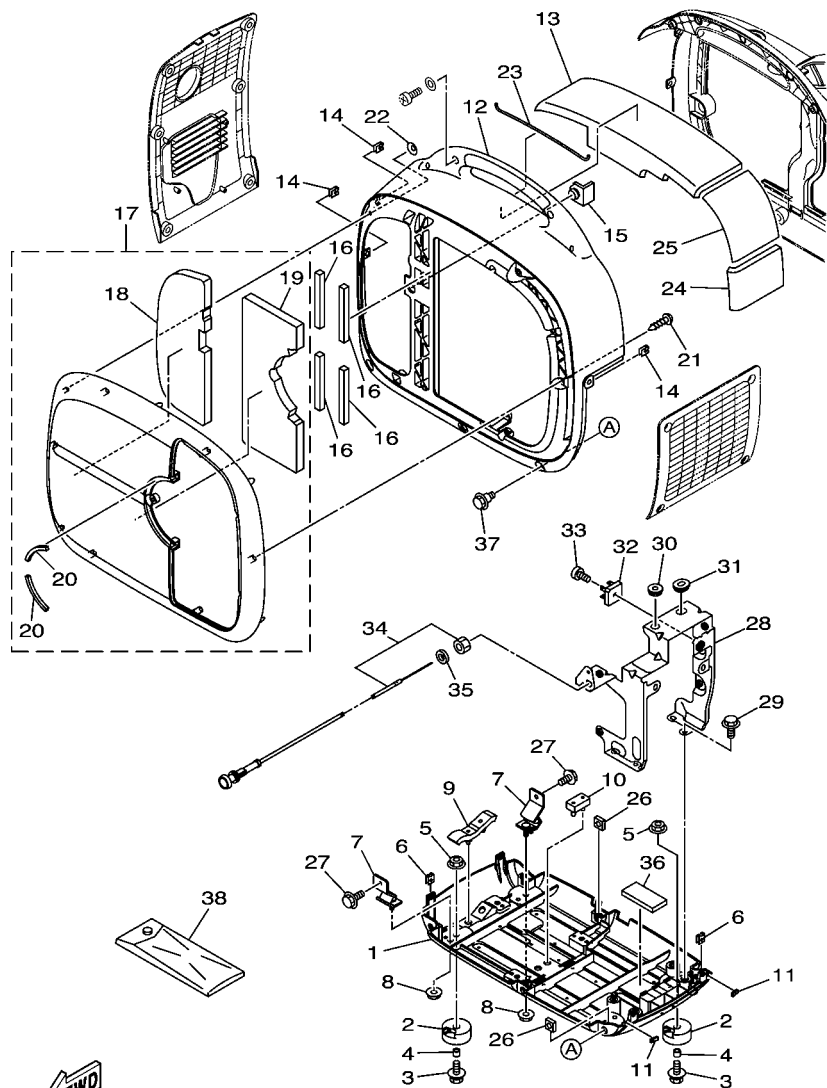




7PB3300-M090

FIG. 9 FRAME

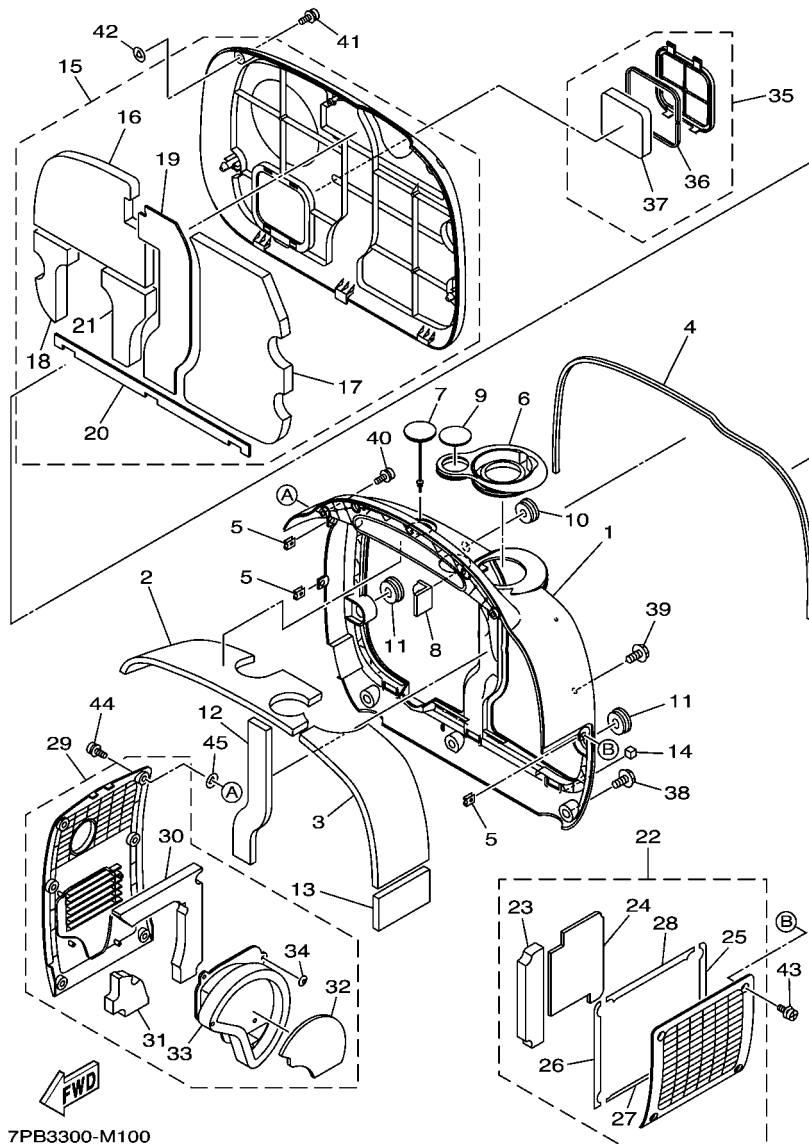
REF. NO.	PART NO.	DESCRIPTION	DEU	FRA	REMARKS
1	7PB-F2881-02	BASE, MOUNTING	1	1	
2	7PB-F2895-00	INSULATOR, MOUNTING	4	4	
3	90119-06147	BOLT, WITH WASHER	4	4	
4	90387-063K3	COLLAR	4	4	
5	95702-06500	NUT, FLANGE	4	4	
6	90183-050A7	NUT, SPRING	4	4	
7	7PB-F2891-00	INSULATOR, MOUNTING	4	4	
8	95702-06500	NUT, FLANGE	4	4	
9	7PB-F2275-00	DAMPER, STOPPER	1	1	
10	7PB-F2218-00	DAMPER, SHOCK ABSORBER LOWER	1	1	
11	90520-03006	DAMPER, PLATE	2	2	
12	7PB-F2865-01	COVER, FRONT	1	1	
13	7PB-F2873-00	SEAL 1	1	1	
14	90183-050A7	NUT, SPRING	3	3	
15	7PB-F282E-00	STOPPER	1	1	
16	90520-05005	DAMPER, PLATE	4	4	
17	7PB-F28B0-01	COVER ASSY 2	1	1	
18	7PB-F2874-00	.SEAL 2	1	1	
19	7PB-F2875-00	.SEAL 3	1	1	
20	90520-05004	.DAMPER, PLATE	2	2	
21	97702-50016	SCREW, TAPPING	6	6	
22	90183-05004	NUT, SPRING	2	2	
23	7PB-F3383-00	COVER, DUST SEAL 1	1	1	
24	90520-10009	DAMPER, PLATE	1	1	
25	90520-05010	DAMPER, PLATE	1	1	
26	90173-06008	NUT, SQUARE	6	6	
27	95812-06012	BOLT, FLANGE	4	4	



7PB3300-M090

FIG. 9 FRAME

REF. NO.	PART NO.	DESCRIPTION	DEU	FRA		REMARKS
28	7PB-F4191-00	BRACKET, FUEL TANK 1	1	1		
29	95802-06010	BOLT, FLANGE	4	4		
30	90480-13567	GROMMET	1	1		
31	90480-01558	GROMMET	1	1		
32	7PB-H7105-00	RECTIFIER ASSY 1	1	1		
33	98502-05014	SCREW, PAN HEAD	1	1		
34	7PB-F6331-00	CABLE, STARTER 1	1	1		
35	90201-11597	WASHER, PLATE	1	1		
36	7PB-F2483-00	DAMPER 1	1	1		
37	90109-06278	BOLT	3	3		
38	7CN-F8100-20	TOOL KIT	1	1		

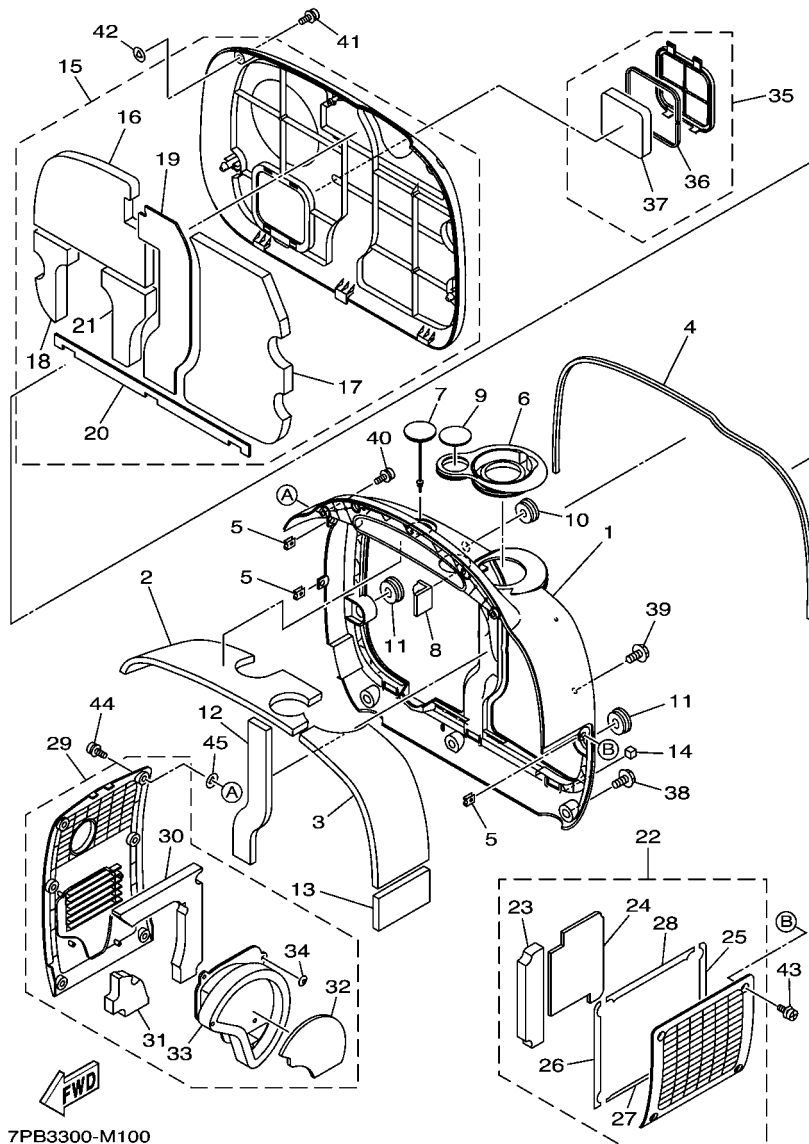


7PB3300-M100

FIG. 10 FRAME 2

REF. NO.	PART NO.	DESCRIPTION	DEU	FRA	REMARKS
1	7PB-F2866-01	COVER, REAR	1	1	
2	7PB-F2876-00	SEAL 4	1	1	
3	7PB-F2886-00	SEAL 9	1	1	
4	90520-04003	DAMPER, PLATE	1	1	
5	90183-050A7	NUT, SPRING	3	3	
6	7PB-F419A-00	HOLDER	1	1	
7	7PB-F2855-00	COVER 2	1	1	
8	7PB-F282E-00	STOPPER	1	1	
9	7PB-F1764-00	LENS, LEVEL GAUGE	1	1	
10	90480-13398	GROMMET	1	1	
11	90480-01559	GROMMET	2	2	
12	7PB-F289F-00	SEAL 17	1	1	
13	90520-10009	DAMPER, PLATE	1	1	
14	90520-04004	DAMPER, PLATE	1	1	
15	7PB-F28D0-01	COVER ASSY 4	1	1	
16	7PB-F2877-00	.SEAL, 5	1	1	
17	7PB-F2878-00	.SEAL 6	1	1	
18	7PB-F289H-00	.SEAL 19	1	1	
19	7PB-F289J-00	.SEAL 20	1	1	
20	7PB-F289K-00	.SEAL 21	1	1	
21	7PB-F289U-00	.SEAL, 7	1	1	
22	7PB-F28E0-01	COVER ASSY 5	1	1	
23	7PB-F2879-00	.SEAL, 7	1	1	
24	7PB-F289M-00	.SEAL 23	1	1	
25	7PB-F281K-00	.SEAL, RUBBER 7	1	1	
26	7PB-F281L-00	.SEAL, RUBBER 8	1	1	
27	7PB-F281M-00	.SEAL, RUBBER 9	1	1	

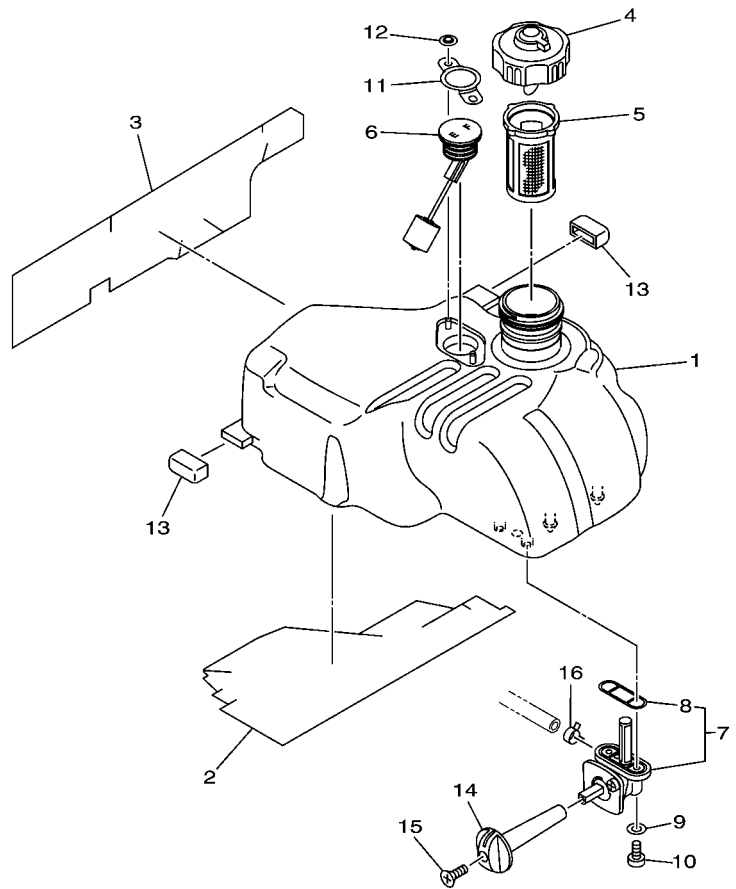




7PB3300-M100

FIG. 10 FRAME 2

REF. NO.	PART NO.	DESCRIPTION	DEU	FRA		REMARKS
28	7PB-F281N-00	.SEAL, RUBBER 10	1	1		
29	7PB-F28F0-00	COVER ASSY 6	1	1		
30	7PB-F2885-00	.SEAL 8	1	1		
31	7PB-F2888-00	.SEAL 11	1	1		
32	7PB-F2889-00	.SEAL 12	1	1		
33	7PB-F286A-00	.DUCT 1	1	1		
34	90183-05004	.NUT, SPRING	4	4		
35	7PB-F28H0-01	COVER ASSY 8	1	1		
36	90520-04010	.DAMPER, PLATE	1	1		
37	90520-15011	.DAMPER, PLATE	1	1		
38	90109-06278	BOLT	3	3		
39	95802-06010	BOLT, FLANGE	1	1		
40	97607-05212	SCREW, WITH WASHER	4	4		
41	97607-05212	SCREW, WITH WASHER	2	2		
42	90209-04800	WASHER	2	2		
43	97607-05212	SCREW, WITH WASHER	4	4		
44	97607-05212	SCREW, WITH WASHER	6	6		
45	90209-04800	WASHER	6	6		

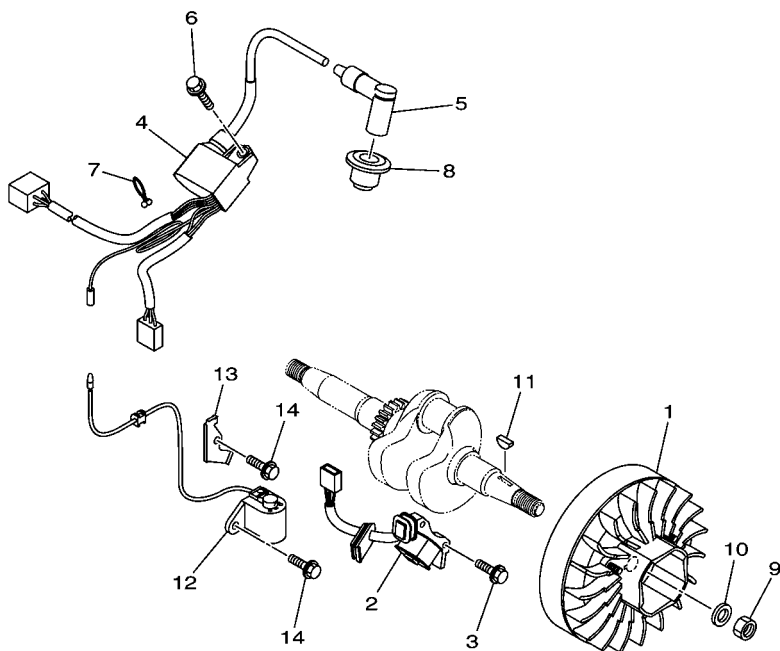


  
7PB2110-M110

**FIG. 11 FUEL TANK**

REF. NO.	PART NO.	DESCRIPTION	DEU	FRA			REMARKS
1	7PB-F4110-10	FUEL TANK COMP.	1	1			
2	7PB-F4141-00	PROTECTOR, FUEL TANK	1	1			
3	7PB-F4129-00	COVER, SIDE 1	1	1			
4	7PB-F4610-00	CAP ASSY	1	1			
5	7PB-F4167-00	STRAINER	1	1			
6	7C6-H5710-00	FUEL LEVEL GAUGE ASSY	1	1			
7	7PB-F4500-00	FUEL COCK ASSY 1	1	1			
8	7PB-F4512-00	.GASKET	1	1			
9	90202-05193	WASHER, PLATE	2	2			
10	90149-06108	SCREW	2	2			
11	7PB-F413X-00	PLATE	1	1			
12	90183-05004	NUT, SPRING	2	2			
13	7PB-F4181-00	DAMPER, LOCATING 1	2	2			
14	7PB-F4524-00	LEVER, COCK	1	1			
15	98707-04020	SCREW, FLAT HEAD	1	1			
16	90467-09806	CLIP	1	1			

FIG. 12 TCI MAGNETO

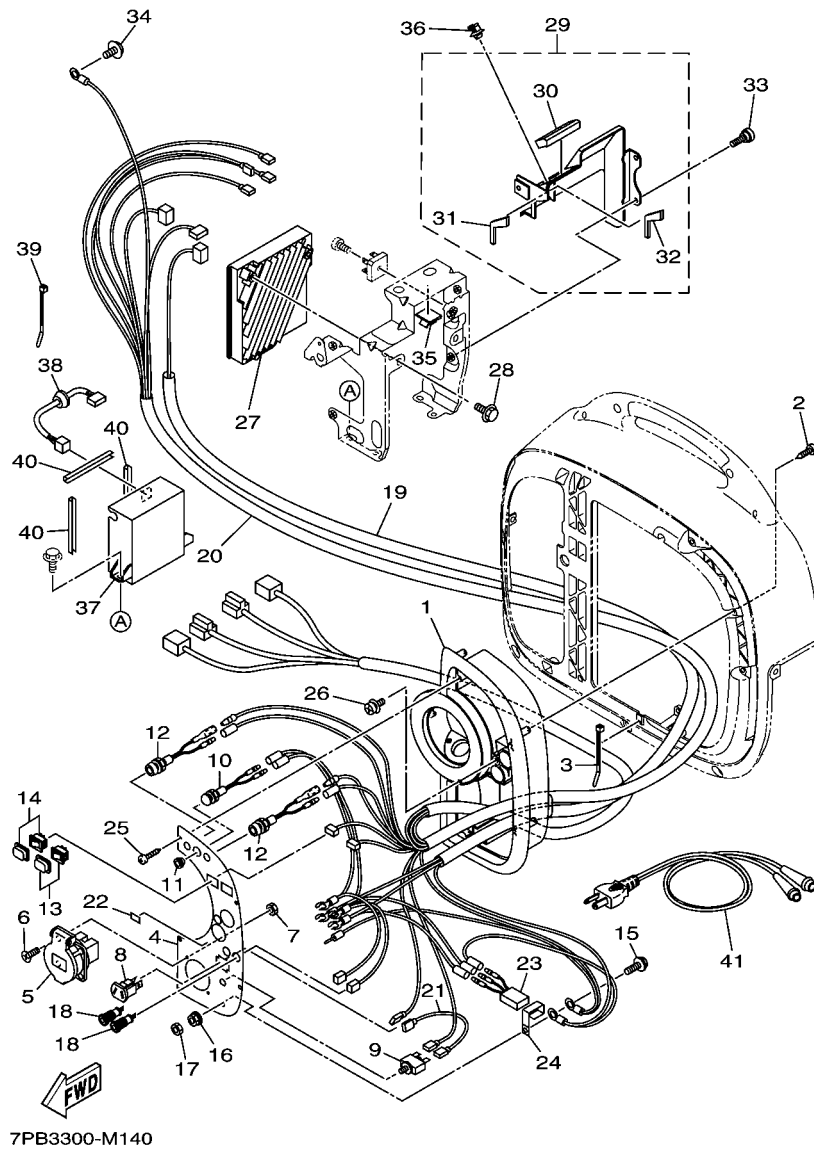


REF. NO.	PART NO.	DESCRIPTION	DEU	FRA			REMARKS
1	7DX-H5550-10	ROTOR ASSY	1	1			
2	7DX-H5521-10	COIL ASSY	1	1			
3	95822-06020	BOLT, FLANGE	2	2			
4	7DX-H2310-01	IGNITION COIL ASSY	1	1			
5	7CN-H2370-00	PLUG CAP ASSY	1	1			
6	95802-06020	BOLT, FLANGE	1	1			
7	90464-16805	CLAMP	1	1			
8	7CP-H2372-00	SEAL, PLUG CAP	1	1			
9	95302-12700	NUT	1	1			
10	92902-12600	WASHER, PLATE	1	1			
11	90280-03045	KEY, WOODRUFF	1	1			
12	7DX-H5720-00	OIL LEVEL GAUGE ASSY	1	1			
13	7DX-H5724-00	CLAMP	1	1			
14	95822-06012	BOLT, FLANGE	3	3			



7PB2110-M120



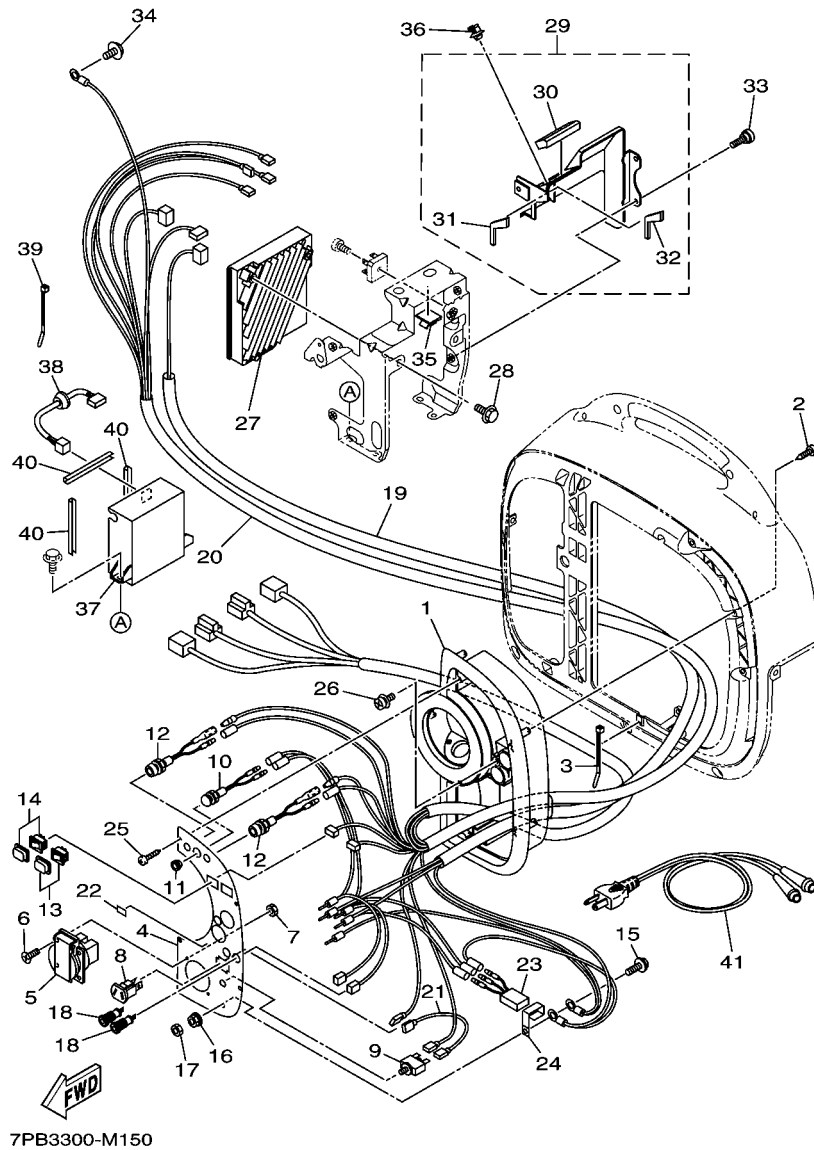


7PB3300-M140

FIG. 14 CONTROL BOX 1

REF. NO.	PART NO.	DESCRIPTION	DEU	FRA		REMARKS
1	7PB-H7201-01	CONTROL BOX COMP.	1			
2	97702-50016	SCREW, TAPPING	5			
3	7CN-H7188-00	BINDER	1			
4	7PB-H7249-20	PLATE	1			
5	7PB-H7221-80	RECEPTACLE 1 (S235E-2)	1			KEDU ELECTRIC
6	90151-03032	SCREW, COUNTERSUNK	4			
7	90179-03800	NUT	4			
8	7PB-H7239-00	RECEPTACLE COMP. (DC 24V-12A)	1			
9	7PB-H2181-10	CIRCUIT BREAKER COMP.	1			CARLING
10	7PB-H3530-G0	PILOT LIGHT ASSY	1			
11	90480-13012	GROMMET	1			
12	7PB-H3582-00	PILOT LIGHT ASSY	2			
13	7PB-H2550-00	ENGINE STOP SWITCH ASSY	1			(RED)
14	7C3-H2550-10	ENGINE STOP SWITCH ASSY	1			ECON. SW.(BULACK)
15	97080-05016	BOLT	1			
16	95702-05500	NUT, FLANGE	1			
17	95380-05700	NUT	1			
18	7PB-H7231-00	TERMINAL 1	2			
19	7PB-H7226-M0	WIRE HARNESS ASSY	1			
20	7PB-H722J-50	WIRE, LEAD	1			
21	7PB-H722Y-00	WIRE, LEAD 4	1			
22	7PB-H4306-30	LABEL, CAUTION	1			
23	7PB-H8188-10	FILTER, NOISE	1			
24	90462-05061	CLAMP	1			
25	97707-40516	SCREW, TAPPING	5			
26	97607-05212	SCREW, WITH WASHER	1			
27	7PB-HA210-20	CONTROL UNIT	1			

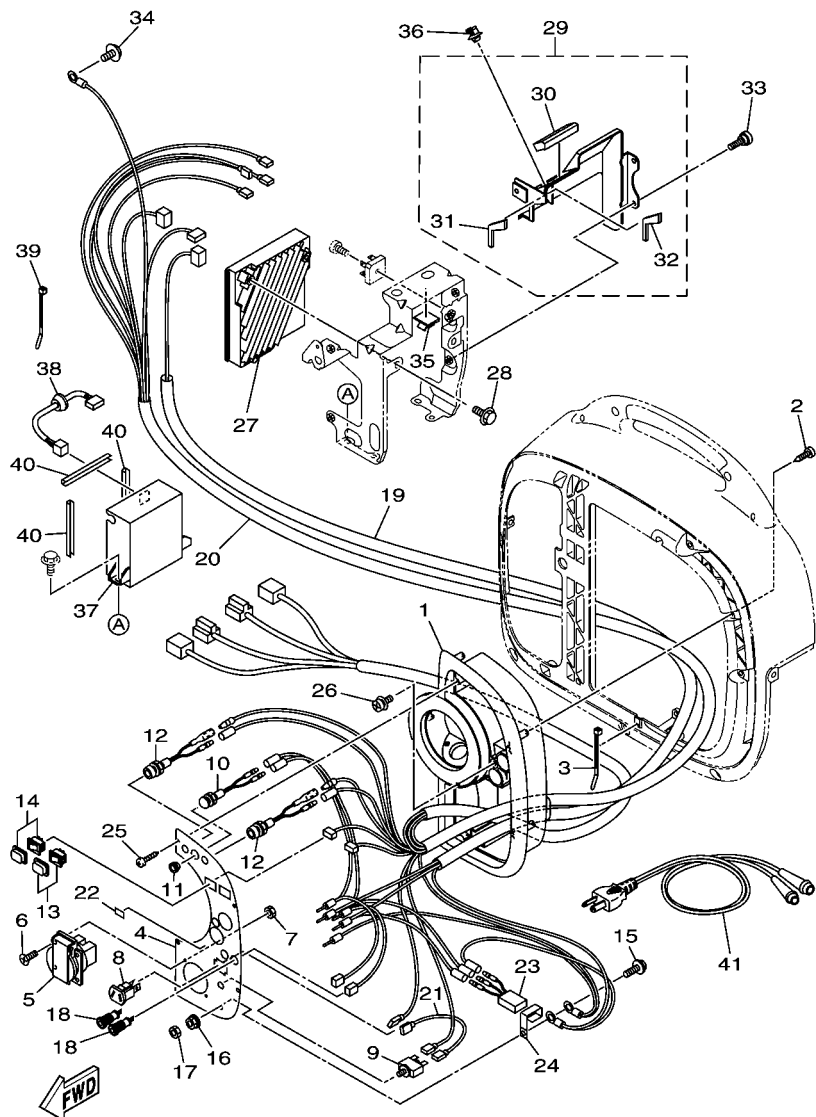




7PB3300-M150

FIG. 15 CONTROL BOX 2

REF. NO.	PART NO.	DESCRIPTION	DEU	FRA	REMARKS
1	7PB-H7201-01	CONTROL BOX COMP.		1	
2	97702-50016	SCREW, TAPPING		5	
3	7CN-H7188-00	BINDER		1	
4	7PB-H7249-20	PLATE		1	
5	7PB-H7221-30	RECEPTACLE 1 (S226E)		1	KEDU ELECTRIC
6	90151-03032	SCREW, COUNTERSUNK		4	
7	90179-03800	NUT		4	
8	7PB-H7239-00	RECEPTACLE COMP. (DC 24V-12A)		1	
9	7PB-H2181-10	CIRCUIT BREAKER COMP.		1	CARLING
10	7PB-H3530-G0	PILOT LIGHT ASSY		1	
11	90480-13012	GROMMET		1	
12	7PB-H3582-00	PILOT LIGHT ASSY		2	
13	7PB-H2550-00	ENGINE STOP SWITCH ASSY		1	(RED)
14	7C3-H2550-10	ENGINE STOP SWITCH ASSY		1	ECON. SW.(BLACK)
15	97080-05016	BOLT		1	
16	95702-05500	NUT, FLANGE		1	
17	95380-05700	NUT		1	
18	7PB-H7231-00	TERMINAL 1		2	
19	7PB-H7226-M0	WIRE HARNESS ASSY		1	
20	7PB-H722J-50	WIRE, LEAD		1	
21	7PB-H722Y-00	WIRE, LEAD 4		1	
22	7PB-H4306-30	LABEL, CAUTION		1	
23	7PB-H8188-10	FILTER, NOISE		1	
24	90462-05061	CLAMP		1	
25	97707-40516	SCREW, TAPPING		5	
26	97607-05212	SCREW, WITH WASHER		1	
27	7PB-HA210-20	CONTROL UNIT		1	



7PB3300-M150

FIG. 15 CONTROL BOX 2

REF. NO.	PART NO.	DESCRIPTION	DEU	FRA		REMARKS
28	95802-06010	BOLT, FLANGE		2		
29	7PB-F28G0-11	COVER ASSY 7		1		
30	90520-10003	.DAMPER, PLATE		1		
31	7PB-F289N-00	.SEAL 24		1		
32	7PB-F289R-00	.SEAL 25		1		
33	90157-05814	SCREW, PAN HEAD		3		
34	95802-06010	BOLT, FLANGE		1		
35	90464-07806	CLAMP		1		
36	90464-05002	CLAMP		1		
37	7PB-H8188-00	FILTER, NOISE		1		
38	7PB-H7223-M0	WIRE, LEAD 1		1		
39	7CN-H7188-00	BINDER		1		
40	7PB-F2831-00	STAY 1		3		
41	7C3-H7209-00	CHARGE CORD ASSY		1		





NUMERICAL INDEX

PART NO.	REF. NO.	PART NO.	REF. NO.	PART NO.	REF. NO.	PART NO.	REF. NO.	PART NO.	REF. NO.	PART NO.	REF. NO.
7DX-E1111-01	1 - 1	7PB-E4211-00	6 - 14	7PB-F1764-00	10 - 9	7PB-F4110-10	11 - 1	7CN-H7188-00	14 - 3	90183-050A7	9 - 6
7DX-E1111J-00	1 - 13	7BX-E4212-00	6 - 15	7PB-F2218-00	9 - 10	7PB-F4129-00	11 - 3		14 - 39		9 - 14
7DX-E1166-00	1 - 12	7BX-E4216-00	6 - 2	7PB-F2275-00	9 - 9	7PB-F413X-00	11 - 11		15 - 3		10 - 5
7DX-E1179-00	1 - 3	7PB-E4227-00	6 - 12	7PB-F2483-00	9 - 36	7PB-F4141-00	11 - 2		15 - 39	90183-06808	5 - 18
7CY-E1181-00	1 - 4	7PB-E4243-00	6 - 6	7PB-F281K-00	10 - 25	7PB-F4161-10	16 - 1	7PB-H7201-01	14 - 1	90201-11597	9 - 35
7DX-E1190-00	1 - 9	7PB-E4293-00	6 - 21	7PB-F281L-00	10 - 26	7PB-F4161-30	16 - 2		15 - 1	90202-05193	11 - 9
7DX-E1351-00	1 - 10	7DX-E4411-00	5 - 9	7PB-F281M-00	10 - 27	7PB-F4162-50	16 - 4	7C3-H7209-00	14 - 41	90209-04800	10 - 42
7DX-E1400-10	2 - 1	7DX-E4412-00	5 - 10	7PB-F281N-00	10 - 28	7PB-F4167-00	11 - 5		15 - 41		10 - 45
7DX-E1561-00	2 - 8	7DX-E4416-00	5 - 17	7PB-F282E-00	9 - 15	7PB-F4181-00	11 - 13	7PB-H7221-30	15 - 5	90280-03045	12 - 11
7CY-E1610-00	2 - 5	7DX-E4451-00	5 - 11		10 - 8	7PB-F4191-00	9 - 28	7PB-H7221-80	14 - 5	90387-063K3	9 - 4
7CY-E1610-10	2 - 5	7DX-E4452-00	7 - 11	7PB-F2831-00	14 - 40	7PB-F419A-00	10 - 6	7PB-H7223-M0	14 - 38	90387-068L2	7 - 19
7CY-E1610-20	2 - 5	7DX-E4453-01	5 - 12		15 - 40	7DX-F4311-00	5 - 3		15 - 38	90446-05006	5 - 1
7DX-E1631-00-A0	2 - 4	7DX-E4457-00	7 - 12	7PB-F2855-00	10 - 7	7PB-F4500-00	11 - 7	7PB-H7226-M0	14 - 19	90462-05061	14 - 24
7DX-E1633-00	2 - 6	7DX-E4467-00	5 - 14	7PB-F2865-01	9 - 12	7PB-F4512-00	11 - 8		15 - 19		15 - 24
7DX-E1635-00	2 - 4	7BX-E4486-00	6 - 3	7PB-F2866-01	10 - 1	7PB-F4524-00	11 - 14	7PB-H722J-50	14 - 20	90464-05002	14 - 36
7DX-E1636-00	2 - 4	7DX-E4613-00	7 - 8	7PB-F286A-00	10 - 33	7PB-F4610-00	11 - 4		15 - 20		15 - 36
7DX-E1650-00	2 - 2	7DX-E471C-10	7 - 10	7PB-F2873-00	9 - 13	7DX-F5153-00	3 - 15	7PB-H722Y-00	14 - 21	90464-07806	14 - 35
7DX-E1654-00	2 - 3	7DX-E4721-10	7 - 1	7PB-F2874-00	9 - 18	7PB-F6331-00	9 - 34		15 - 21		15 - 35
7DX-E2111-10	3 - 3	7DX-E472C-10	7 - 20	7PB-F2875-00	9 - 19	7CN-F8100-20	9 - 38	7PB-H7231-00	14 - 18	90464-16805	12 - 7
7DX-E2117-00	3 - 7	7DX-E4786-00	7 - 2	7PB-F2876-00	10 - 2	7PB-F8176-30	16 - 5		15 - 18	90467-05800	5 - 2
7DX-E2118-00	3 - 8	7CA-E4788-00	7 - 4	7PB-F2877-00	10 - 16	7PB-H2181-10	14 - 9	7PB-H7239-00	14 - 8	90467-09804	5 - 4
7DX-E2119-01	3 - 14	7CA-E4799-00	7 - 3	7PB-F2878-00	10 - 17		15 - 9		15 - 8	90467-09806	11 - 16
7DX-E2121-10	3 - 4	7CA-E479E-00	7 - 5	7PB-F2879-00	10 - 23	7DX-H2310-01	12 - 4	7PB-H7249-20	14 - 4	90480-01558	9 - 31
7DX-E2151-00	3 - 9	7PB-E4A41-00	6 - 7	7PB-F2881-02	9 - 1	7CN-H2370-00	12 - 5		15 - 4	90480-01559	10 - 11
7DX-E2153-00	3 - 5	7PB-E4A42-19	6 - 4	7PB-F2885-00	10 - 30	7CP-H2372-00	12 - 8	7PB-H8188-00	14 - 37	90480-12237	7 - 18
7DX-E2154-00	3 - 13	7PB-E4A43-34	6 - 11	7PB-F2886-00	10 - 3	7PB-H2550-00	14 - 13		15 - 37	90480-13012	14 - 11
7DX-E2156-00	3 - 10	7PB-E4A81-00	6 - 9	7PB-F2888-00	10 - 31		15 - 13	7PB-H8188-10	14 - 23		15 - 11
7CT-E2159-00	3 - 11	7DX-E5111-00	8 - 1	7PB-F2889-00	10 - 32	7C3-H2550-10	14 - 14		15 - 23	90480-13398	10 - 10
7DX-E2180-11	3 - 1	7DX-E5363-00	8 - 8	7PB-F2891-00	9 - 7		15 - 14	7PB-HA210-20	14 - 27	90480-13567	9 - 30
7DX-E2287-00	3 - 2	7DX-E5411-00	8 - 5	7PB-F2895-00	9 - 2	7PB-H3530-G0	14 - 10		15 - 27	90501-20800	3 - 6
7DX-E261D-00	4 - 5	7DX-E5451-00	8 - 10	7PB-F289F-00	10 - 12		15 - 10	90109-06278	9 - 37	90520-03006	9 - 11
7DX-E2621-00	4 - 1	7DX-E5494-00	7 - 13	7PB-F289H-00	10 - 18	7PB-H3582-00	14 - 12		10 - 38	90520-04003	10 - 4
7CP-E262J-00	4 - 6	7DX-E5495-00	7 - 16	7PB-F289J-00	10 - 19		15 - 12	90119-06147	9 - 3	90520-04004	10 - 14
7DX-E2651-00	4 - 3		7 - 21	7PB-F289K-00	10 - 20	7PB-H4306-30	14 - 22	90149-06108	11 - 10	90520-04010	10 - 36
7DX-E2691-00	7 - 22	7DX-E5496-00	7 - 14	7PB-F289M-00	10 - 24		15 - 22	90151-03032	14 - 6	90520-05004	9 - 20
7DX-E3556-00	5 - 7	7DX-E549D-00	7 - 15	7PB-F289N-00	14 - 31	7PB-H432R-00	16 - 3		15 - 6	90520-05005	9 - 16
7DX-E3556-10	5 - 8	7DX-E5710-00	4 - 8		15 - 31	7PB-H4762-00	13 - 7	90153-05800	7 - 6	90520-05010	9 - 25
7DX-E3593-00	5 - 6	7CN-E5713-00	4 - 11	7PB-F289R-00	14 - 32	7DX-H5521-10	12 - 2	90154-06823	5 - 13	90520-05800	4 - 4
7DX-E3595-00	5 - 5	7DX-E5714-00	4 - 9		15 - 32	7PB-H5542-00	13 - 11	90157-05814	14 - 33	90520-05801	4 - 7
7PB-E4101-00	6 - 1	7CN-E5715-00	4 - 12	7PB-F289U-00	10 - 21	7DX-H5550-10	12 - 1		15 - 33	90520-10003	14 - 30
7BX-E4121-00	6 - 17	7DX-E5716-00	4 - 13	7PB-F28B0-01	9 - 17	7C6-H5710-00	11 - 6	90170-05806	3 - 12		15 - 30
7BX-E4150-00	6 - 18	7PB-E5720-01	4 - 19	7PB-F28D0-01	10 - 15	7DX-H5720-00	12 - 12	90173-06008	9 - 26	90520-10009	9 - 24
7BX-E4159-00	6 - 19	7DX-E5734-00	4 - 16	7PB-F28E0-01	10 - 22	7DX-H5724-00	12 - 13	90179-03800	14 - 7		10 - 13
7PB-E4162-00	6 - 13	7CN-E5741-01	4 - 10	7PB-F28F0-00	10 - 29	7PB-H7105-00	9 - 32		15 - 7	90520-15011	10 - 37
7BX-E4184-00	6 - 8	7DX-E5751-00	4 - 15	7PB-F28G0-11	14 - 29	7PB-H7150-20	13 - 1	90179-12013	13 - 10	92902-06200	1 - 6
7BX-E4185-00	6 - 10	7PB-E5755-00	4 - 18		15 - 29	7PB-H7160-00	13 - 2	90183-05004	9 - 22	92902-12600	12 - 10
7PB-E4186-00	6 - 20	7DX-E5793-00	4 - 14	7PB-F28H0-01	10 - 35	7PB-H7172-00	13 - 3		10 - 34	93102-20802	8 - 3
7BX-E4191-00	6 - 16	7PB-F1696-50	16 - 6	7PB-F3383-00	9 - 23	7PB-H7174-00	13 - 6		11 - 12		8 - 7

NUMERICAL INDEX

PART NO.	REF. NO.	PART NO.	REF. NO.	PART NO.	REF. NO.	PART NO.	REF. NO.	PART NO.	REF. NO.	PART NO.	REF. NO.
93210-15803	8 - 9	97707-40516	14 - 25								
93306-204YY	8 - 2		15 - 25								
	8 - 6	98502-05008	6 - 5								
93450-13819	2 - 7	98502-05014	9 - 33								
94702-00821	1 - 8	98707-04020	11 - 15								
95302-06600	7 - 7	99530-08012	1 - 7								
95302-12700	12 - 9		8 - 4								
95380-05700	14 - 17		13 - 9								
	15 - 17										
95602-06615	1 - 2										
95702-05500	14 - 16										
	15 - 16										
95702-06500	5 - 16										
	9 - 5										
	9 - 8										
95802-06010	9 - 29										
	10 - 39										
	14 - 28										
	14 - 34										
	15 - 28										
	15 - 34										
95802-06012	13 - 4										
95802-06016	4 - 2										
	4 - 17										
95802-06020	5 - 15										
	12 - 6										
95802-06030	13 - 8										
95812-06012	9 - 27										
95822-06012	12 - 14										
95822-06014	7 - 9										
95822-06016	1 - 11										
	7 - 17										
95822-06020	8 - 11										
	12 - 3										
95822-06040	13 - 5										
95822-06050	1 - 5										
97080-05016	14 - 15										
	15 - 15										
97607-05212	10 - 40										
	10 - 41										
	10 - 43										
	10 - 44										
	14 - 26										
	15 - 26										
97702-50014	7 - 23										
97702-50016	9 - 21										
	14 - 2										
	15 - 2										