



PARTS CATALOGUE

MZ300A3B (7CS1) AUSTRALIA

MZ300K3U (7CSB) SOUTH KOREA

MZ300
PARTS CATALOGUE
©2006 by Yamaha Motor Co., Ltd.
1st edition, November 2006
All rights reserved.
Any reprinting or unauthorized use
without the written permission of
Yamaha Motor Co., Ltd.
is expressly prohibited.
Printed in Japan.

FOREWORD

This Parts Catalogue is related to the parts for the model(s) on the cover page. When you are ordering replacement parts, please refer to this Parts Catalogue and quote both part numbers and part names correctly.

1. Modifications or additions which have been made after the issue of the Parts Catalogue will be announced in the Parts News.

It is advisable that you make the necessary corrections to the Parts Catalogue according to the Parts News.

2. Abbreviations

The following abbreviations are used in this Parts Catalogue.

“UR” Use specified parts number.

“UN” Use as many as needed.

“AP” Alternate Parts

“LM” Locally Made (Parts need to be ordered locally)

“F#” Frame No. (Applicable machine No.)

“O/S” Over Size

3. The number of components for assembly

- Parts, which are to be supplied in an assembly, are listed with a dot (.) in front of the part name as shown below.
- The numeral appearing to the right of each component part indicates the quantity of parts for each assembly unit.

PART NO.	DESCRIPTION	Q'TY	REMARKS
2F5-83310-60	FRONT FLASHER LIGHT ASSY	2	
115-83311-60	.BULB (6V-18W)	1	

4. Applicable colours of graphics are represented in the “REMARKS” as shown below.

PART NO.	DESCRIPTION	Q'TY	REMARKS
2N4-24110-00-X5	FUEL TANK COMP.	2	MXR
3J1-24240-10	.GRAPHIC, FUEL TANK	1	FOR MXR

5. Note that the illustrations for reference in finding parts numbers are not to be used for assembling. When assembling, please use the applicable service manual.

6. The asterisk (*) before a reference number indicates modified items after the first edition.

FOREWORD

Engine Serial No.

This parts catalogue is related to the parts for the models in the list below.

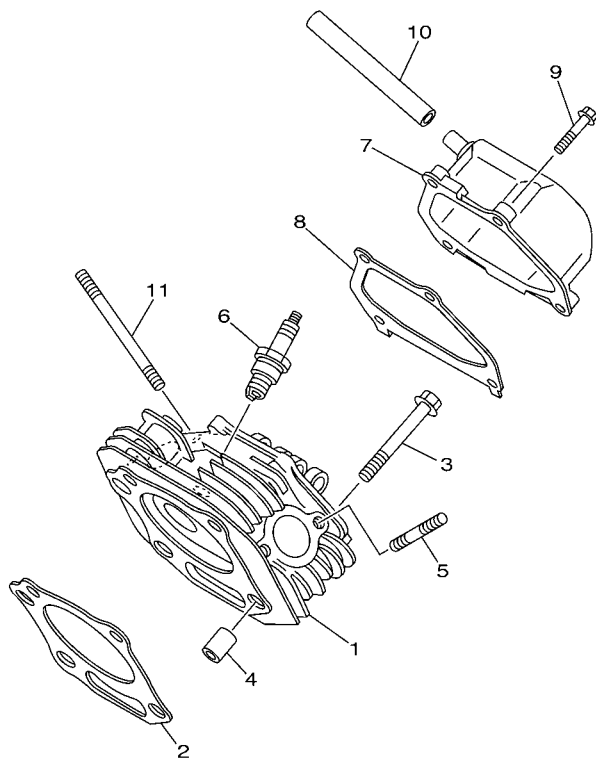
MODEL CODE	MODEL NAME	SPECIFICATION (OUT LINE)	ENGINE SERIAL NO.
7CS1	MZ300A3B	P.T.O. SHAFT A TYPE, MOUNT FACE (UNF)	7CS1-1000101
7CSB	MZ300K3U	P.T.O. SHAFT K TYPE, MOUNT FACE (UNF) TANK LESS	7CSB-1000101

CONTENTS

CYLINDER	1
CRANKSHAFT	2
CRANKSHAFT & PISTON	3
GOVERNOR 1	4
GOVERNOR 2	5
CAMSHAFT & VALVE	6
AIR SHROUD & STARTER	7
INTAKE	8
CARBURETOR 1	9
CARBURETOR 2	10
EXHAUST	11
CRANKCASE COVER 1	12
FUEL TANK	13
MAGNETO	14
STARTING MOTOR	15
ELECTRICAL	16
BODY FITTING	17
EMBLEM & LABEL	18

INDEX

NUMERICAL INDEX	19
-----------------------	----



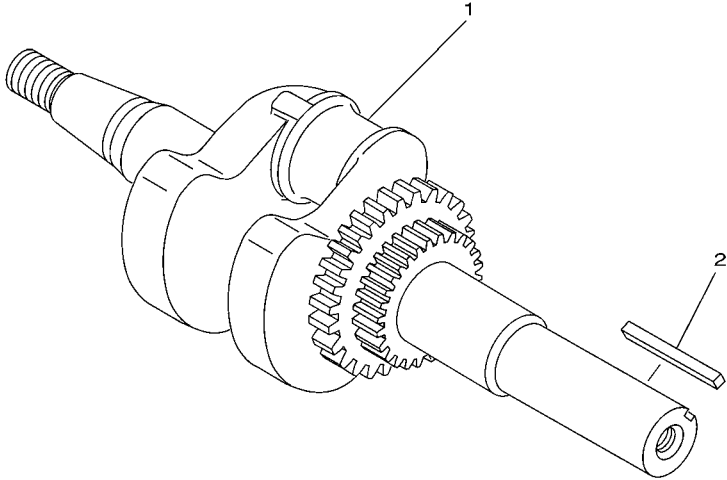
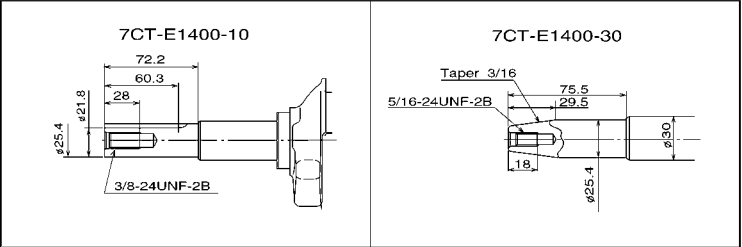
7UV2171-9010

FIG. 1 CYLINDER

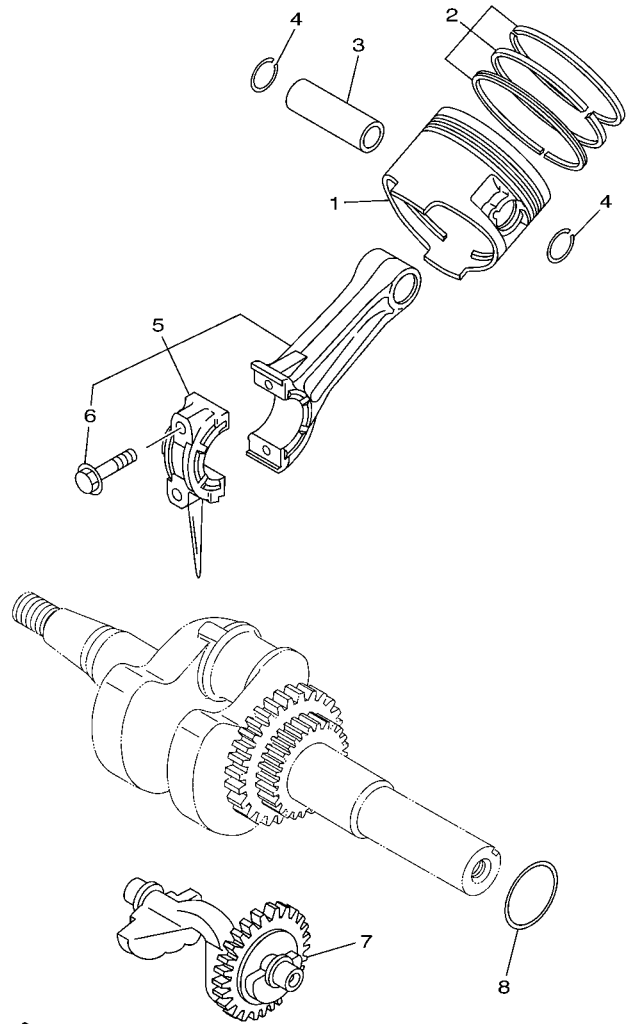
REF. NO.	PART NO.	DESCRIPTION	7CS1	7CSB			REMARKS
1	7CR-E1111-00	HEAD, CYLINDER 1	1	1			
2	7CR-E1181-00	GASKET, CYLINDER HEAD 1	1	1			
3	95817-10070	BOLT, FLANGE	4	4			
4	99530-14016	PIN, DOWEL	2	2			
5	95627-08618	BOLT, STUD	2	2			
6	94702-00819	PLUG, SPARK (NGK BPR4ES)	1	1			
7	7CT-E1190-00	COVER, CYLINDER HEAD 1	1	1			
8	7CT-E1193-00	GASKET, HEAD COVER 1	1	1			
9	95827-06030	BOLT, FLANGE	4	4			
10	7CT-E1166-00	PIPE, BREATHER 1	1	1			
11	95607-08700	BOLT, STUD	2	2			

FIG. 2 CRANKSHAFT

REF. NO.	PART NO.	DESCRIPTION	7CS1	7CSB			REMARKS
1	7CT-E1400-10	CRANKSHAFT ASSY	1				
	7CT-E1400-30	CRANKSHAFT ASSY		1			
2	90282-06037	KEY, STRAIGHT (6.3 MM)	1				



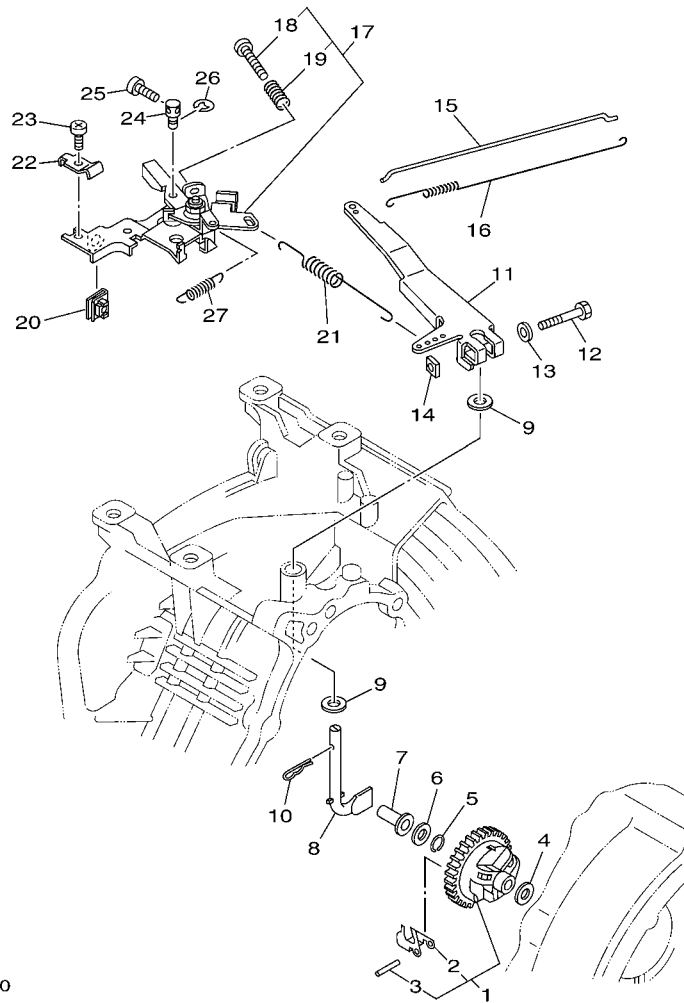
7CS1700-E020



7UH1110-0030

FIG. 3 CRANKSHAFT & PISTON

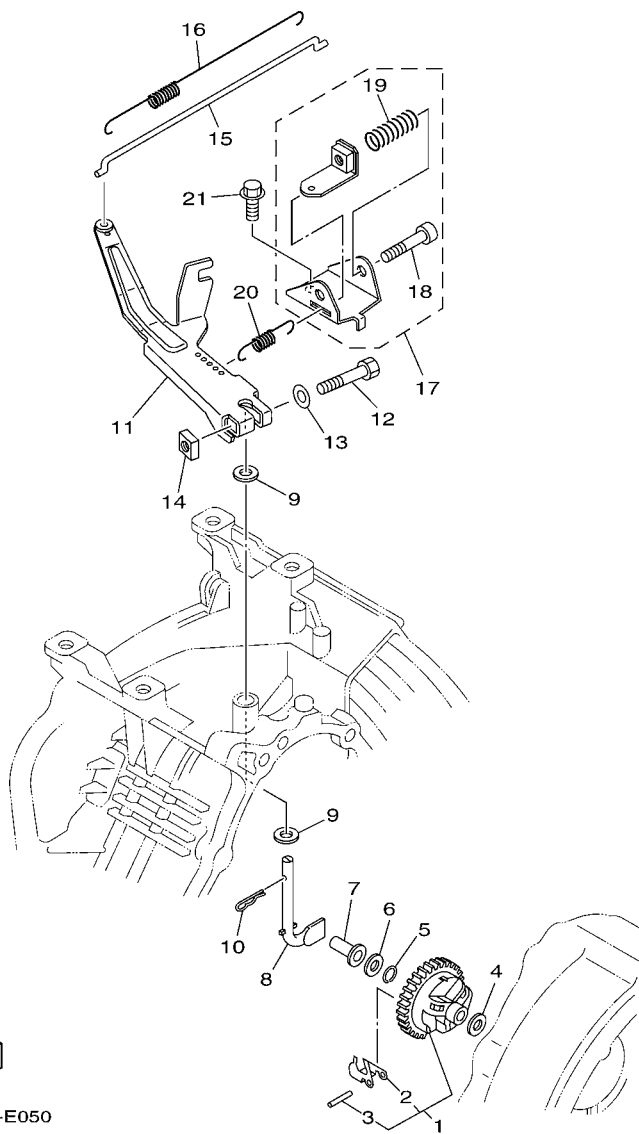
REF. NO.	PART NO.	DESCRIPTION	7CS1	7CSB			REMARKS
1	7CR-E1631-00-A0	PISTON (STD)	1	1			
	7CR-E1635-00	PISTON (0.25MM O/S)	1	1			AP
	7CR-E1636-00	PISTON (0.50MM O/S)	1	1			AP
2	7CR-E1610-00	PISTON RING SET (STD)	1	1			
	7CR-E1610-10	PISTON RING SET (0.25MM O/S)	1	1			AP
	7CR-E1610-20	PISTON RING SET (0.50MM O/S)	1	1			AP
3	7CR-E1633-00	PIN, PISTON	1	1			
4	93450-21833	CIRCLIP	2	2			
5	7CT-E1650-00	CONNECTING ROD ASSY	1	1			
6	7CT-E1654-00	.BOLT, CONNECTING ROD	2	2			
7	7CT-E1454-00	WEIGHT 1	1	1			
8	7CT-E1561-00	SHIM, CRANK 1	1	1			UN



7CS1700-E040

FIG. 4 GOVERNOR 1

REF. NO.	PART NO.	DESCRIPTION	7CS1	7CSB		REMARKS
1	7CT-E1970-00	FLYWEIGHT SHAFT ASSY.	1			
2	7CT-E1913-00	.WEIGHT	3			
3	7CN-E1914-00	.SHAFT, WEIGHT	3			
4	90201-06842	WASHER, PLATE	1			
5	93440-06826	CIRCLIP	1			
6	90201-067L0	WASHER, PLATE	1			
7	7KY-11917-00	COLLAR	1			
8	7CT-E1922-00	FORK, GOVERNOR	1			
9	90201-08092	WASHER, PLATE	2			
10	90468-12006	CLIP	1			
11	7CT-E1924-10	ARM, GOVERNOR	1			
12	97027-06030	BOLT	1			
13	92907-06600	WASHER, PLATE	1			
14	90173-06802	NUT, SQUARE	1			
15	7CT-E1928-00	ROD, LINK	1			
16	90506-04458	SPRING, TENSION	1			
17	7CT-G1240-00	THROTTLE LEVER COMP.	1			
18	98507-05025	.SCREW, PAN HEAD	1			
19	90501-090A8	.SPRING, COMPRESSION	1			
20	90183-06036	NUT, SPRING	1			
21	7CT-E1925-10	SPRING, GOVERNOR	1			
22	7CT-E1933-00	PLATE, ADJUST	1			
23	98507-05012	SCREW, PAN HEAD	1			
24	7CT-E1932-00	SETTER, WIRE	1			
25	98507-04006	SCREW, PAN HEAD	1			
26	99001-04600	CIRCLIP	1			
27	90506-07412	SPRING, TENSION	1			

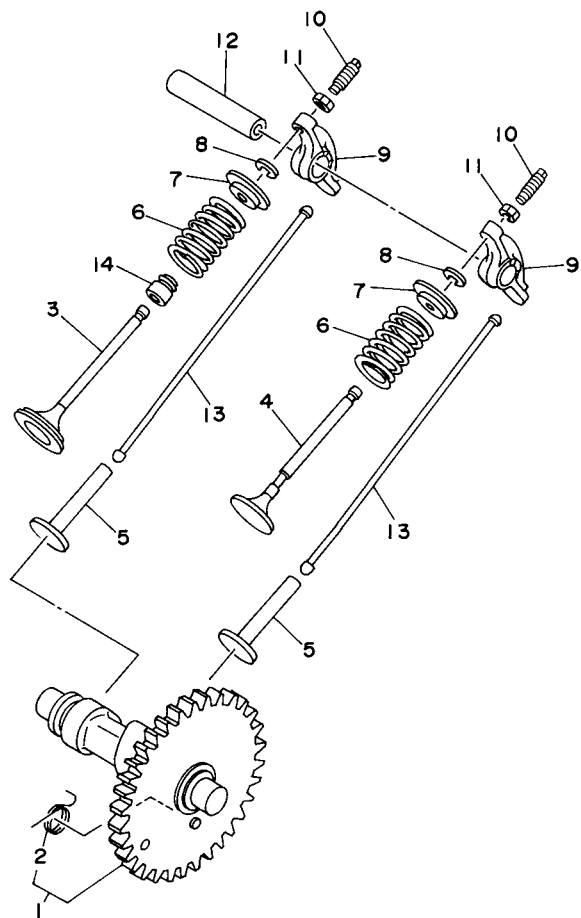


7CS1700-E050

FIG. 5 GOVERNOR 2

REF. NO.	PART NO.	DESCRIPTION	7CS1	7CSB	REMARKS
1	7CT-E1970-00	FLYWEIGHT SHAFT ASSY.		1	
2	7CT-E1913-00	.WEIGHT		3	
3	7CN-E1914-00	.SHAFT, WEIGHT		3	
4	90201-06842	WASHER, PLATE		1	
5	93440-06826	CIRCLIP		1	
6	90201-067L0	WASHER, PLATE		1	
7	7KY-11917-00	COLLAR		1	
8	7CT-E1922-00	FORK, GOVERNOR		1	
9	90201-08092	WASHER, PLATE		2	
10	90468-12006	CLIP		1	
11	7CT-E1901-00	GOVERNOR ASSY		1	
12	97027-06030	BOLT		1	
13	92907-06600	WASHER, PLATE		1	
14	90173-06802	NUT, SQUARE		1	
15	7CT-E1928-00	ROD, LINK		1	
16	90506-04458	SPRING, TENSION		1	
17	7CN-E1950-00	ADJUST PLATE COMP.		1	
18	98507-06035	.SCREW, PAN HEAD		1	
19	90501-10812	.SPRING, COMPRESSION		1	
20	7CT-E1925-30	SPRING, GOVERNOR		1	
21	95807-06012	BOLT, FLANGE		1	

FIG. 6 CAMSHAFT & VALVE



 7RGI400-6040

REF. NO.	PART NO.	DESCRIPTION	7CS1	7CSB		REMARKS
1	7CT-E2170-00	CAMSHAFT ASSY 1	1	1		
2	7CT-E2287-00	.SPRING, DECOMPRESSION	1	1		
3	7CT-E2111-00	VALVE, INTAKE	1	1		
4	7CT-E2121-00	VALVE, EXHAUST	1	1		
5	7CT-E2153-00	LIFTER, VALVE	2	2		
6	90501-264A9	SPRING, COMPRESSION	2	2		
7	J38-12117-01	RETAINER, VALVE SPRING	2	2		
8	7CT-E2118-00	COTTER, VALVE	2	2		
9	7CT-E2151-00	ARM, VALVE ROCKER	2	2		
10	22F-12159-00	SCREW, VALVE ADJUSTING	2	2		
11	90170-05804	NUT	2	2		
12	7CT-E2156-00	SHAFT, ROCKER 2	1	1		
13	7CT-E2154-00	ROD, VALVE PUSH	2	2		
14	7CT-E2119-00	SEAL, VALVE STEM	1	1		

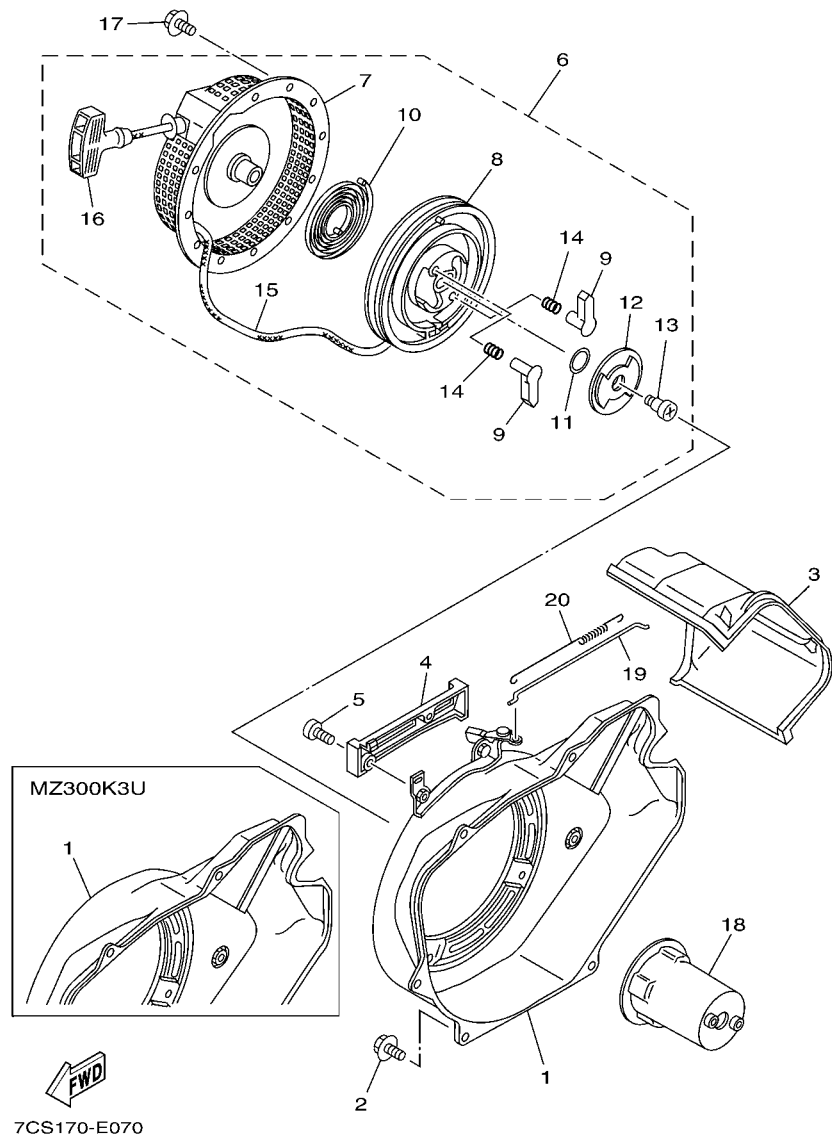
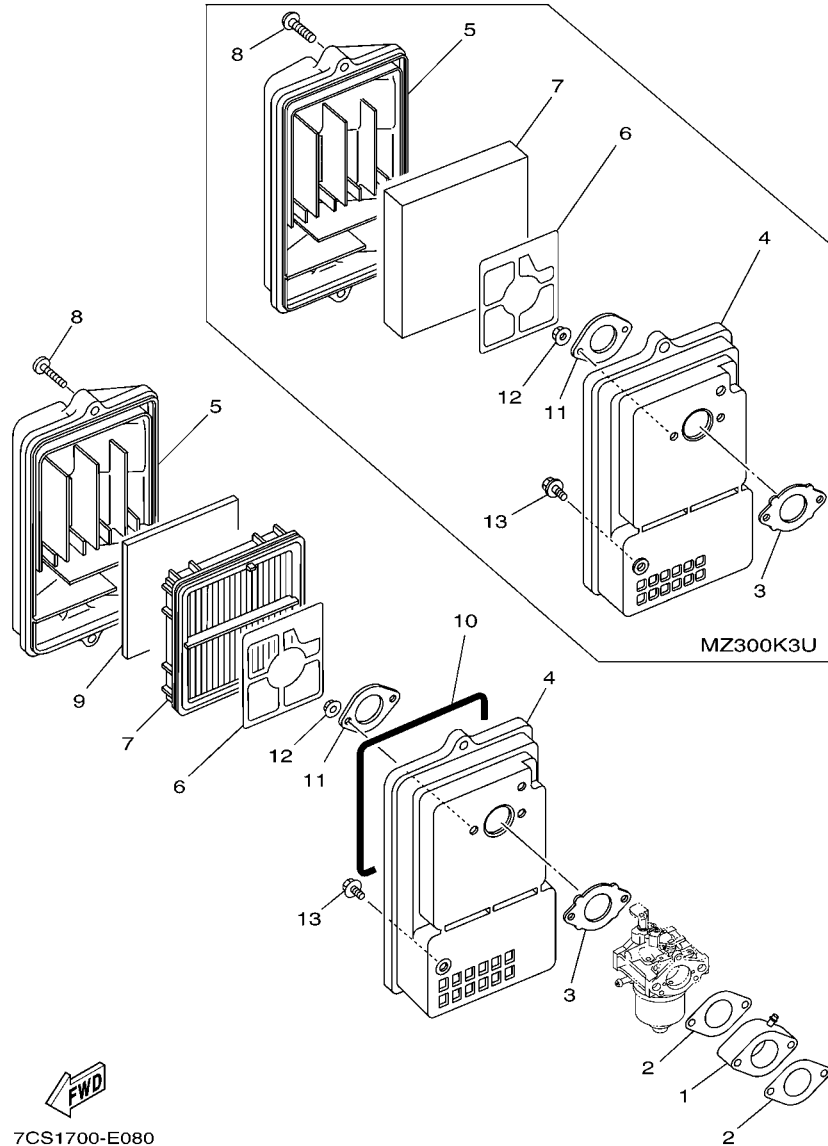


FIG. 7 AIR SHROUD & STARTER

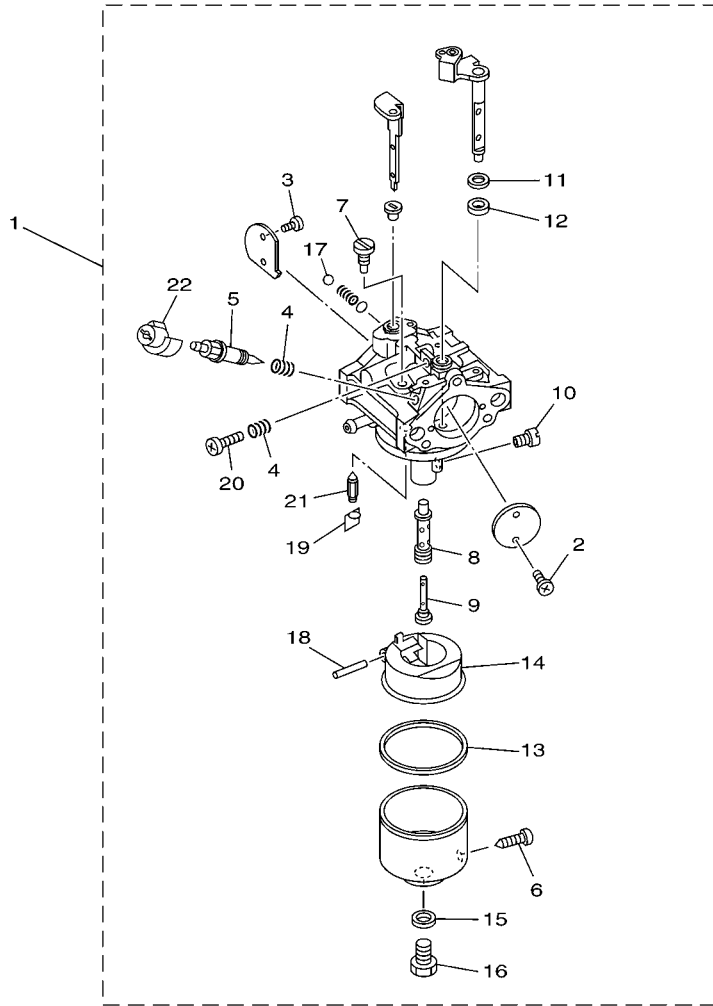
REF. NO.	PART NO.	DESCRIPTION	7CS1	7CSB		REMARKS
1	7CT-E2621-00	CASE, FAN	1			
	7CT-E2621-10	CASE, FAN		1		
2	95807-06012	BOLT, FLANGE	5	5		
3	7CT-E2651-00	AIR SHROUD, CYLINDER 1	1	1		
4	7CT-G1266-00	COVER, LINK	1			
5	98507-05010	SCREW, PAN HEAD	2			
6	7CT-E5710-00	STARTER ASSY	1	1		
7	7CT-15711-00	.CASE, STARTER	1	1		
8	7CT-15714-00	.DRUM, SHEAVE	1	1		
9	7CT-15741-00	.PAWL, DRIVE	2	2		
10	7CT-15713-00	.SPRING, STARTER	1	1		
11	7CN-15715-00	.SPRING, FRICTION	1	1		
12	7CT-15716-00	.PLATE, DRIVE	1	1		
13	7CN-15793-00	.SCREW	1	1		
14	7CN-15743-00	.SPRING, RETURN	2	2		
15	7CT-15751-00	.WIRE, STARTER	1	1		
16	7CN-15755-00	.HANDLE, STARTER	1	1		
17	95807-06008	BOLT, FLANGE	4	4		
18	7CT-E5723-00	PULLEY, STARTER	1	1		
19	7CT-G1256-00	ROD, CHOKE 1	1			
20	90506-04421	SPRING, TENSION	1			



7CS1700-E080

FIG. 8 INTAKE

REF. NO.	PART NO.	DESCRIPTION	7CS1	7CSB		REMARKS
1	7CT-E3596-00	JOINT, CARBURETOR 2	1	1		
2	7CT-E3557-00	GASKET	2	2		
3	7CT-E3567-00	GASKET	1	1		
4	7RH-14411-01	CASE, AIR CLEANER 1	1	1		
5	7RH-14412-01	CAP, CLEANER CASE 1	1	1		
6	7RH-14468-00	PLATE,ELEMENT FITTING	1	1		
7	7RK-14451-10	ELEMENT, AIR CLEANER	1			
	7RH-14451-00	ELEMENT, AIR CLEANER		1		
8	7RH-14429-00	SCREW	2	2		
9	7RK-14461-10	ELEMENT, AIR CLEANER 2	1			
10	7RK-14462-10	SEAL	1			
11	7CT-E4477-00	PLATE	1	1		
12	95707-08500	NUT, FLANGE	2	2		
13	95807-06016	BOLT, FLANGE	1	1		

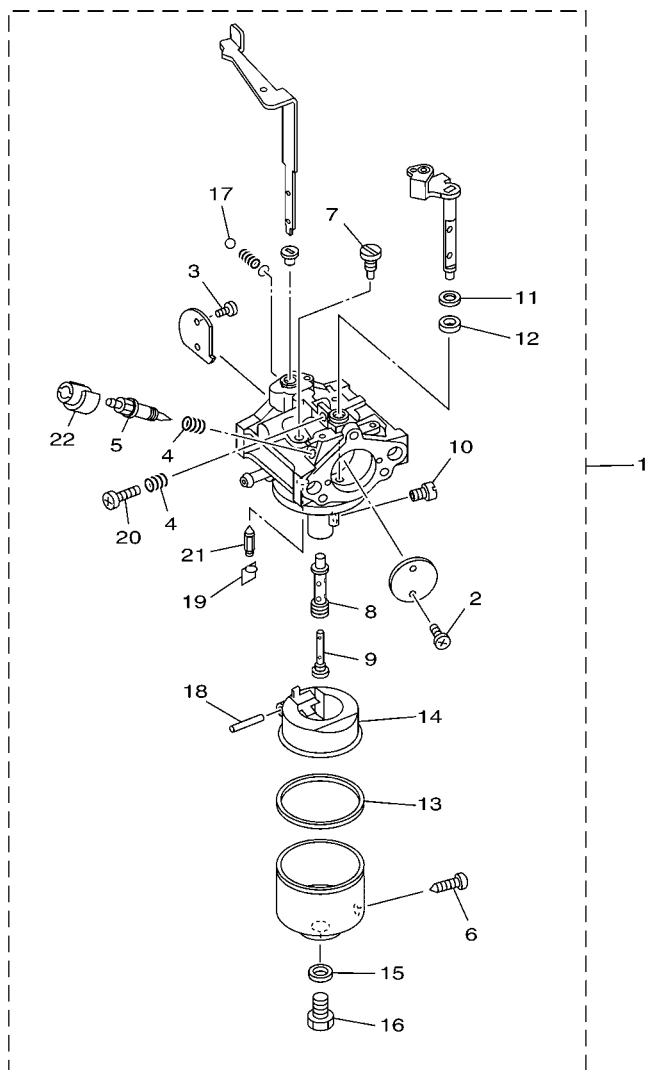


FWD
7CRF400-E080

FIG. 9 CARBURETOR 1

REF. NO.	PART NO.	DESCRIPTION	7CS1	7CSB		REMARKS
1	7CR-E4101-50	CARBURETOR ASSY 1	1			
2	7RH-14216-00	.SCREW	2			
3	7RH-14486-00	.SCREW, ROD	2			
4	73A-14212-00	.SPRING	2			
5	7NJ-14211-00	.SCREW, PILOT ADJUSTING	1			
6	7E1-14191-00	.PLUG, DRAIN	1			
7	620-1414J-24-A0	.JET, PILOT (#61.3)	1			
8	7RK-1495N-6A	.NOZZLE, MAIN	1			
9	73A-1414G-00	.PIPE, MAIN BLEED	1			
10	3G2-14231-20-A0	.JET, MAIN (#100)	1			
11	4CW-14117-00	.WASHER, PLUG SCREW	1			
12	6K8-14597-10	.WASHER	1			
13	796-14184-00	.GASKET, FLOAT CHAMBER	1			
14	JN6-14185-00	.FLOAT	1			
15	127-14198-00	.GASKET	1			
16	7RG-14162-00	.BOLT, HOLDING	1			
17	93501-08001	.BALL	1			
18	22F-14186-00	.PIN, FLOAT	1			
19	7EG-14159-00	.CLIP	1			
20	1WG-14922-00	.SCREW, THROTTLE	1			
21	73A-14150-00	.NEEDLE ASSY	1			
22	7LV-14118-00	.CAP	1			

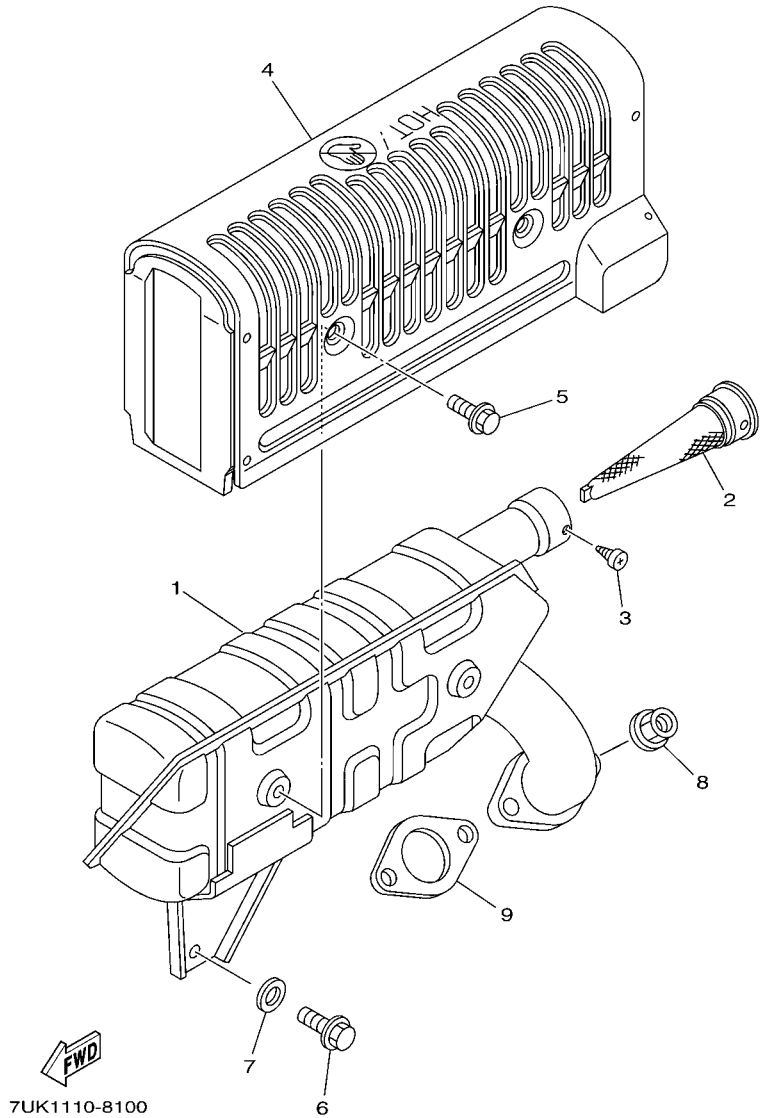
FIG. 10 CARBURETOR 2



7CS1700-E100

REF. NO.	PART NO.	DESCRIPTION	7CS1	7CSB		REMARKS
1	7CR-E4101-40	CARBURETOR ASSY 1		1		
2	7RH-14216-00	.SCREW		2		
3	7RH-14486-00	.SCREW, ROD		2		
4	73A-14212-00	.SPRING		2		
5	7NJ-14211-00	.SCREW, PILOT ADJUSTING		1		
6	7E1-14191-00	.PLUG, DRAIN		1		
7	620-14142-62-A0	.JET, PILOT (#62.5)		1		
8	7LW-14941-53	.NOZZLE, MAIN		1		
9	73A-1414G-00	.PIPE, MAIN BLEED		1		
10	3G2-1423E-39-A0	.JET, MAIN (#98.8)		1		
11	4CW-14117-00	.WASHER, PLUG SCREW		1		
12	7X9-14239-00	.SEAL		1		
13	796-14184-00	.GASKET, FLOAT CHAMBER		1		
14	JN6-14185-00	.FLOAT		1		
15	127-14198-00	.GASKET		1		
16	7RG-14162-00	.BOLT, HOLDING		1		
17	93501-08001	.BALL		1		
18	22F-14186-00	.PIN, FLOAT		1		
19	7EG-14159-00	.CLIP		1		
20	1WG-14922-00	.SCREW, THROTTLE		1		
21	73A-14150-00	.NEEDLE ASSY		1		
22	7LV-14118-00	.CAP		1		

FIG. 11 EXHAUST



REF. NO.	PART NO.	DESCRIPTION	7CS1	7CSB			REMARKS
1	7CT-E4711-00	MUFFLER 1	1				
2	7CT-E4786-00	ARRESTER, SPARK	1				
3	97707-40506	SCREW, TAPPING	1				
4	7CT-E4708-00	PROTECTOR ASSY	1				
5	95827-06008	BOLT, FLANGE	4				
6	95827-08016	BOLT, FLANGE	1				
7	90201-086A3	WASHER, PLATE	1				
8	95307-08600	NUT	2				
9	7CT-E4613-00	GASKET, EXHAUST PIPE	1				

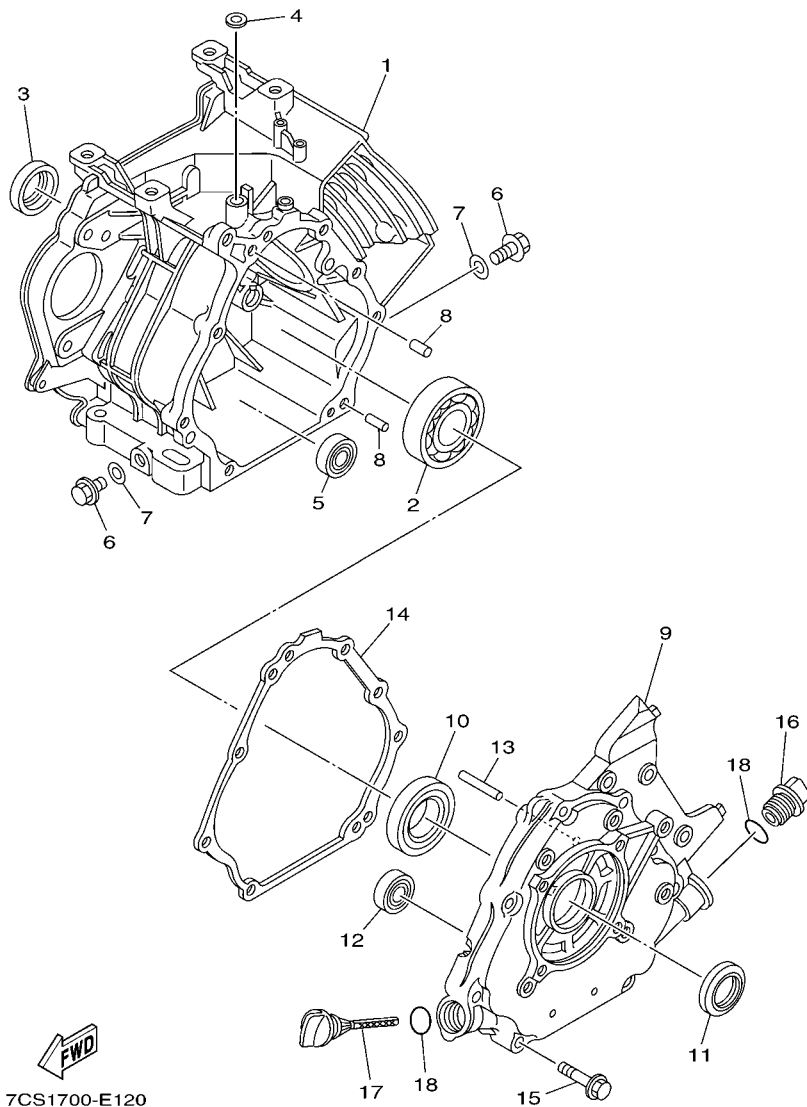
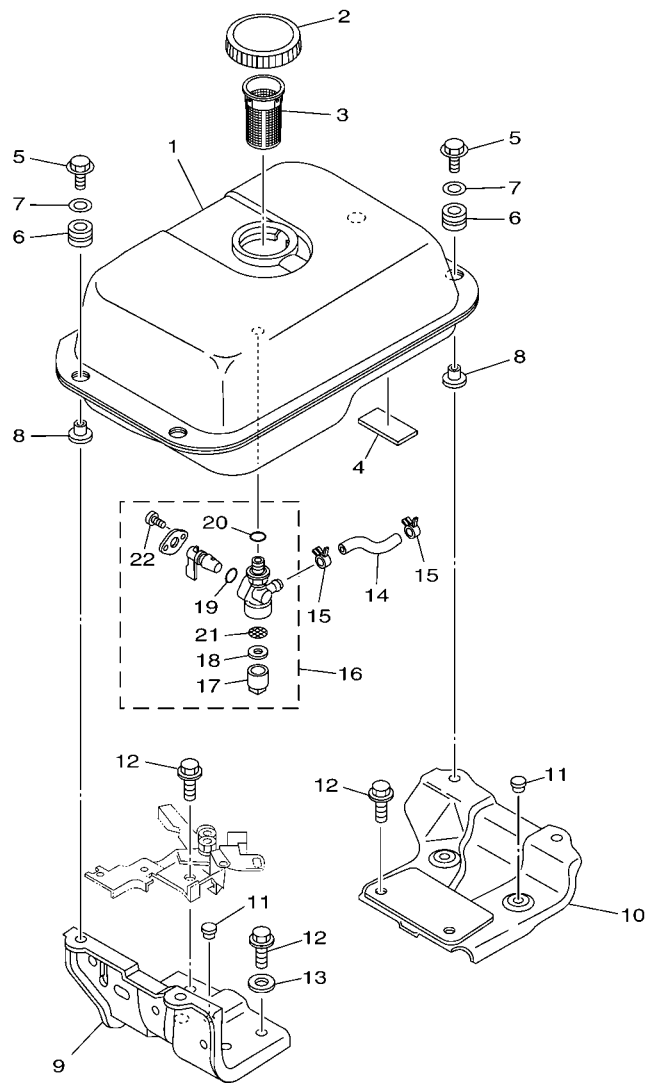


FIG. 12 CRANKCASE COVER 1

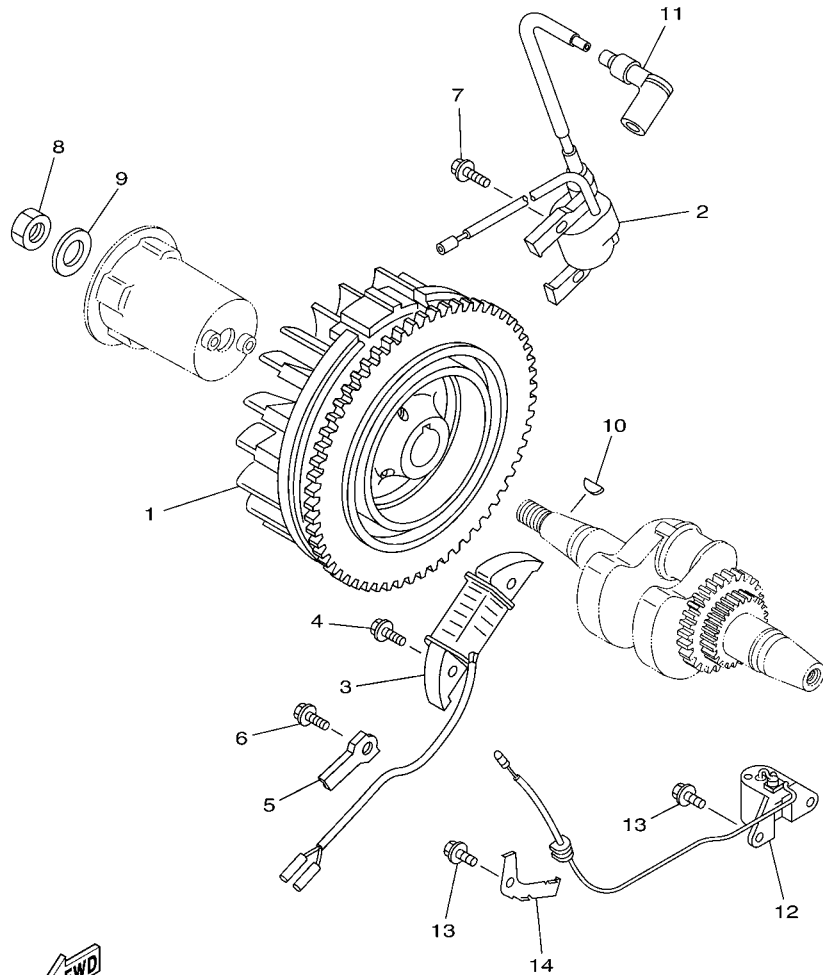
REF. NO.	PART NO.	DESCRIPTION	7CS1	7CSB		REMARKS
1	7CR-E5111-10	CRANKCASE 1	1	1		
2	93306-307Y1	BEARING	1	1		
3	93102-35802	OIL SEAL	1	1		
4	93109-08803	OIL SEAL	1	1		
5	93306-252X4	BEARING	1	1		
6	90340-12097	PLUG, STRAIGHT SCREW	2	2		
7	7CT-E1198-00	GASKET	2	2		
8	99530-08016	PIN, DOWEL	2	2		
9	7CT-E5411-10	COVER, CRANKCASE 1	1	1		
10	93306-207Y0	BEARING	1	1		
11	93102-35802	OIL SEAL	1	1		
12	93306-252X4	BEARING	1	1		
13	7CT-E1971-00	SHAFT, FLYWEIGHT	1	1		
14	7CT-E5451-00	GASKET, CRANKCASE COVER 1	1	1		
15	95817-08045	BOLT, FLANGE	8	8		
16	7CN-E5363-00	PLUG, OIL	1	1		
17	7CT-E5362-00	PLUG, OIL LEVEL	1	1		
18	93210-22805	O-RING	2	2		



7CT1400-D170

FIG. 13 FUEL TANK

REF. NO.	PART NO.	DESCRIPTION	7CS1	7CSB		REMARKS
1	7CT-F4110-00-NJ	FUEL TANK COMP.	1			FWB
2	7CN-F4610-00	CAP ASSY	1			
3	7CN-F4167-00	STRAINER	1			
4	7CT-F4181-00	DAMPER, LOCATING 1	1			
5	7CT-F4176-00	BOLT 1	4			
6	90480-15235	GROMMET	4			
7	90201-06380	WASHER, PLATE	4			
8	90387-067K8	COLLAR	4			
9	7CT-F4115-00	STAY, FUEL TANK 1	1			
10	7CT-F4116-00	STAY, FUEL TANK 2	1			
11	90338-05800	PLUG	3			
12	95817-08020	BOLT, FLANGE	4			
13	90201-08826	WASHER, PLATE	1			
14	90445-10456	HOSE (L95)	1			
15	90467-09806	CLIP	2			
16	7CN-F4500-00	FUEL COCK ASSY 1	1			
17	7J3-24521-00	.CUP, FILTER	1			
18	4X8-24565-00	.GASKET	1			
19	7NJ-24534-00	.SEAL, COCK	1			
20	7NJ-24532-00	.GASKET	1			
21	7NJ-24515-01	.NET, FILTER 2	1			
22	98507-03008	.SCREW, PAN HEAD	2			



7CUC400-D120

FIG. 14 MAGNETO

REF. NO.	PART NO.	DESCRIPTION	7CS1	7CSB		REMARKS
1	7CU-H5650-00	ROTOR ASSY	1	1		
2	7CT-H5640-00	T.C.I. UNIT ASSY	1	1		
3	7CU-H5521-10	COIL ASSY	1	1		
4	95807-06025	BOLT, FLANGE	2	2		
5	90462-06232	CLAMP	1	1		
6	95807-06012	BOLT, FLANGE	1	1		
7	95880-06020	BOLT, FLANGE	2	2		
8	90170-18391	NUT	1	1		
9	90201-18008	WASHER, PLATE	1	1		
10	90280-04801	KEY, WOODRUFF	1	1		
11	7CN-H2370-00	PLUG CAP ASSY	1	1		
12	7CT-H5720-00	OIL LEVEL GAUGE ASSY	1	1		
13	95827-06012	BOLT, FLANGE	3	3		
14	7CN-H5724-00	CLAMP	1	1		

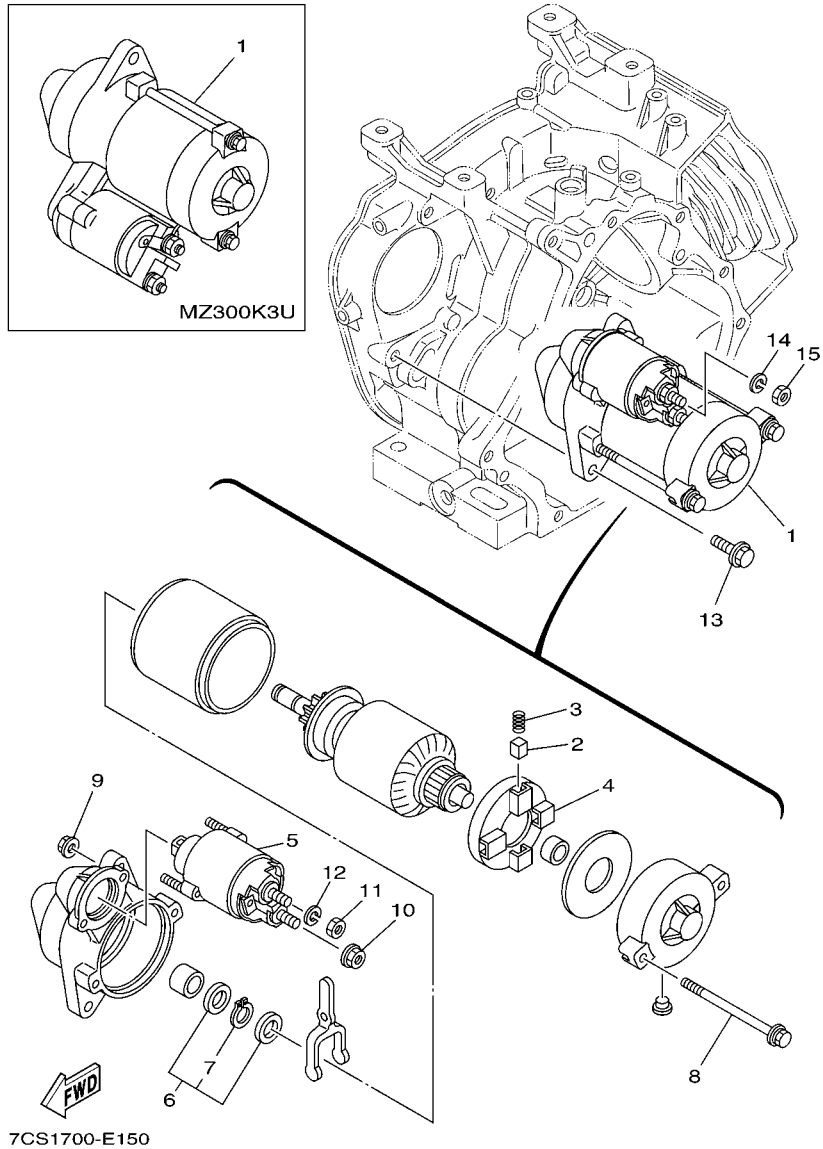
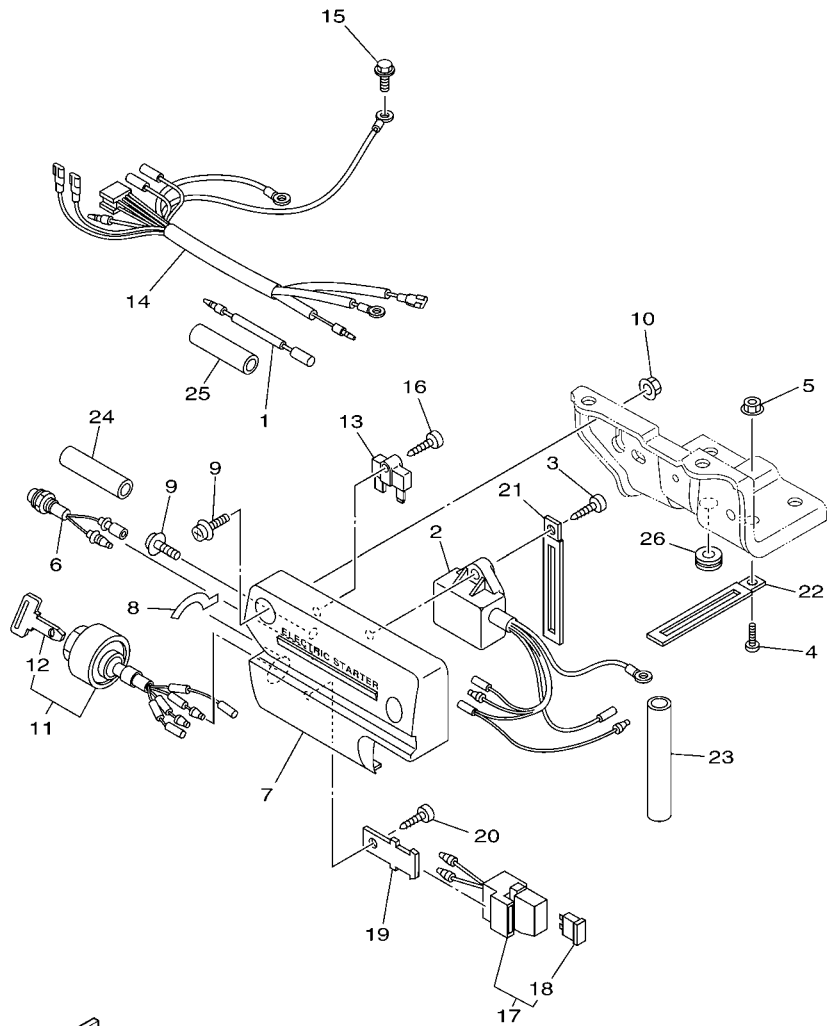


FIG. 15 STARTING MOTOR

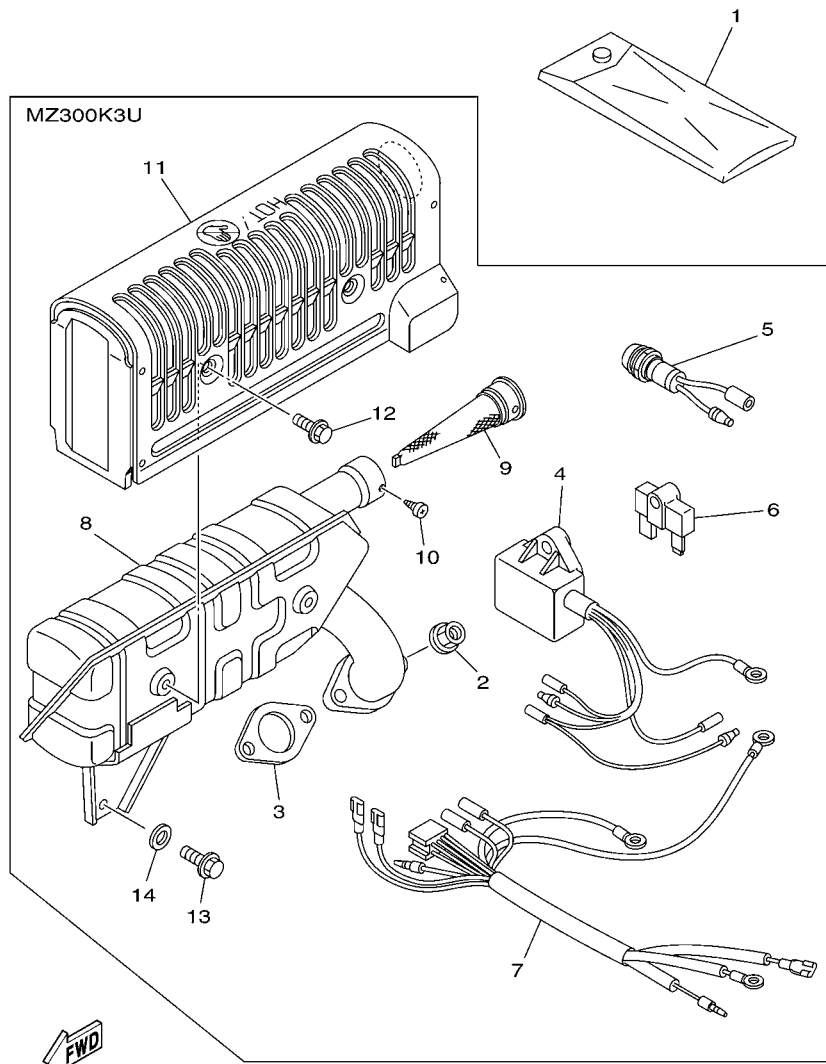
REF. NO.	PART NO.	DESCRIPTION	7CS1	7CSB	REMARKS
1	7UJ-81800-00	STARTING MOTOR ASSY	1		
	7WW-81800-00	STARTING MOTOR ASSY		1	
2	JE8-81812-00	.BRUSH 2	4	4	
3	JE8-81813-00	.SPRING, BRUSH	4	4	
4	JE8-81840-00	.BRUSH HOLDER ASSY	1	1	
5	JE8-81870-00	.STARTING SWITCH ASSY	1	1	
6	7UJ-81833-00	.RING, STOP	1	1	
7	JE8-81834-00	..RING	1	1	
8	JE8-81826-00	.BOLT	2	2	
9	95302-06600	.NUT	2	2	
10	95302-08700	.NUT	1	1	
11	95302-08600	.NUT	1	1	
12	92902-08100	.WASHER, SPRING	1	1	
13	95807-08025	BOLT, FLANGE	2	2	
14	92907-08100	WASHER, SPRING	1	1	
15	95307-08600	NUT	1	1	




 7CUC400-D140

FIG. 16 ELECTRICAL

REF. NO.	PART NO.	DESCRIPTION	7CS1	7CSB		REMARKS
1	7CP-H2507-00	WIRE, LEAD	1			
2	7CN-H5690-00	OIL WARNING UNIT	1			
3	97707-60025	SCREW, TAPPING	1			
4	98507-06014	SCREW, PAN HEAD	1			
5	95704-06500	NUT, FLANGE	1			
6	7CA-H5770-01	OIL PILOT LIGHT ASSY	1			
7	7CU-H2568-00	COVER, MAIN SWITCH	1			
8	7CU-F4156-00	INDICATOR, STARTER LEVER	1			
9	98907-06012	SCREW, BIND	3			
10	95704-06500	NUT, FLANGE	1			
11	7LP-82510-00	MAIN SWITCH ASSY	1			
12	73A-82511-00	.KEY, MAIN SWITCH	2			
13	7CU-H1970-00	RECTIFIER ASSY	1			
14	7CU-H2507-10	WIRE, LEAD	1			
15	95807-06012	BOLT, FLANGE	1			
16	97707-50120	SCREW, TAPPING	1			
17	7CU-H2150-00	FUSE HOLDER ASSY	1			
18	7CU-H2151-00	.FUSE	2			
19	7CU-H2588-00	PLATE	1			
20	97707-50112	SCREW, TAPPING	1			
21	90462-05061	CLAMP	1			
22	90462-05061	CLAMP	1			
23	7CU-H2589-00	PROTECTOR, WIRE HARNESS	1			
24	7CU-H2589-10	PROTECTOR, WIRE HARNESS	1			
25	7CT-H2139-00	TUBE	1			
26	90480-13018	GROMMET	1			



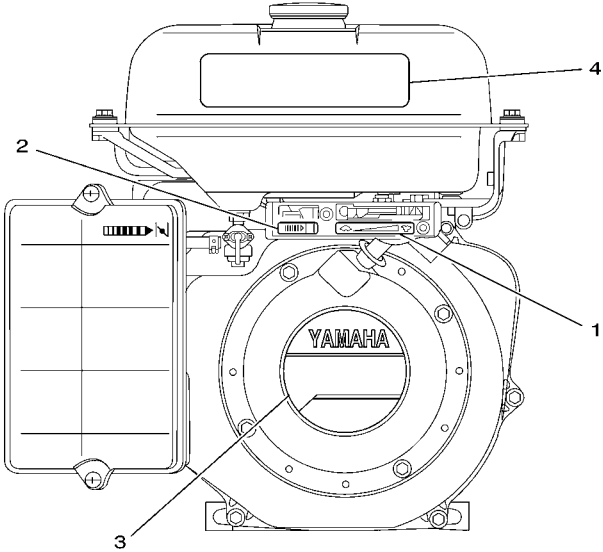
7CS1700-E170

FIG. 17 BODY FITTING

REF. NO.	PART NO.	DESCRIPTION	7CS1	7CSB	REMARKS
1	7CT-F8100-00	TOOL KIT	1	1	
2	95307-08600	NUT		2	
3	7CT-E4613-00	GASKET, EXHAUST PIPE		1	
4	7CN-H5690-00	OIL WARNING UNIT		1	
5	7CA-H5770-01	OIL PILOT LIGHT ASSY		1	
6	7CU-H1970-00	RECTIFIER ASSY		1	
7	7CU-H2507-00	WIRE, LEAD		1	
8	7CT-E4711-00	MUFFLER 1		1	
9	7CT-E4786-00	ARRESTER, SPARK		1	
10	97707-40506	SCREW, TAPPING		1	
11	7CT-E4708-00	PROTECTOR ASSY		1	
12	95827-06008	BOLT, FLANGE		4	
13	95827-08016	BOLT, FLANGE		1	
14	90201-086A3	WASHER, PLATE		1	

FIG. 18 EMBLEM & LABEL

REF. NO.	PART NO.	DESCRIPTION	7CS1	7CSB				REMARKS
1	7CN-F4154-00	INDICATOR, SHIFT	1					
2	7CN-F4155-00	INDICATOR, CHOKE	1					
3	7CR-E2629-00	EMBLEM (YAMAHA MZ300)	1	1				
4	7CN-F4162-00	EMBLEM 2 (WARNING)	1					



7CS1700-E220

NUMERICAL INDEX

PART NO.	REF. NO.	PART NO.	REF. NO.	PART NO.	REF. NO.	PART NO.	REF. NO.	PART NO.	REF. NO.	PART NO.	REF. NO.
7KY-11917-00	4 - 7	1WG-14922-00	9 - 20	7CT-E1654-00	3 - 6	7CT-E5362-00	12 - 17	90183-06036	4 - 20	93501-08001	9 - 17
	5 - 7		10 - 20	7CT-E1901-00	5 - 11	7CN-E5363-00	12 - 16	90201-06380	13 - 7		10 - 17
J38-12117-01	6 - 7	7LW-14941-53	10 - 8	7CT-E1913-00	4 - 2	7CT-E5411-10	12 - 9	90201-067L0	4 - 6	94702-00819	1 - 6
22F-12159-00	6 - 10	7RK-1495N-6A	9 - 8		5 - 2	7CT-E5451-00	12 - 14		5 - 6	95302-06600	15 - 9
4CW-14117-00	9 - 11	7CT-15711-00	7 - 7	7CN-E1914-00	4 - 3	7CT-E5710-00	7 - 6	90201-06842	4 - 4	95302-08600	15 - 11
	10 - 11	7CT-15713-00	7 - 10		5 - 3	7CT-E5723-00	7 - 18		5 - 4	95302-08700	15 - 10
7LV-14118-00	9 - 22	7CT-15714-00	7 - 8	7CT-E1922-00	4 - 8	7CT-F4110-00-NJ	13 - 1	90201-08092	4 - 9	95307-08600	11 - 8
	10 - 22	7CN-15715-00	7 - 11		5 - 8	7CT-F4115-00	13 - 9		5 - 9		15 - 15
620-14142-62-A0	10 - 7	7CT-15716-00	7 - 12	7CT-E1924-10	4 - 11	7CT-F4116-00	13 - 10	90201-086A3	11 - 7		17 - 2
73A-1414G-00	9 - 9	7CT-15741-00	7 - 9	7CT-E1925-10	4 - 21	7CN-F4154-00	18 - 1		17 - 14	95607-08700	1 - 11
	10 - 9	7CN-15743-00	7 - 14	7CT-E1925-30	5 - 20	7CN-F4155-00	18 - 2	90201-08826	13 - 13	95627-08618	1 - 5
620-1414J-24-A0	9 - 7	7CT-15751-00	7 - 15	7CT-E1928-00	4 - 15	7CU-F4156-00	16 - 8	90201-18008	14 - 9	95704-06500	16 - 5
73A-14150-00	9 - 21	7CN-15755-00	7 - 16		5 - 15	7CN-F4162-00	18 - 4	90280-04801	14 - 10		16 - 10
	10 - 21	7CN-15793-00	7 - 13	7CT-E1932-00	4 - 24	7CN-F4167-00	13 - 3	90282-06037	2 - 2	95707-08500	8 - 12
7EG-14159-00	9 - 19	7NJ-24515-01	13 - 21	7CT-E1933-00	4 - 22	7CT-F4176-00	13 - 5	90338-05800	13 - 11	95807-06008	7 - 17
	10 - 19	7J3-24521-00	13 - 17	7CN-E1950-00	5 - 17	7CT-F4181-00	13 - 4	90340-12097	12 - 6	95807-06012	5 - 21
7RG-14162-00	9 - 16	7NJ-24532-00	13 - 20	7CT-E1970-00	4 - 1	7CN-F4500-00	13 - 16	90387-067K8	13 - 8		7 - 2
	10 - 16	7NJ-24534-00	13 - 19		5 - 1	7CN-F4610-00	13 - 2	90445-10456	13 - 14		14 - 6
796-14184-00	9 - 13	4X8-24565-00	13 - 18	7CT-E1971-00	12 - 13	7CT-F8100-00	17 - 1	90462-05061	16 - 21		16 - 15
	10 - 13	7UJ-81800-00	15 - 1	7CT-E2111-00	6 - 3	7CT-G1240-00	4 - 17		16 - 22	95807-06016	8 - 13
JN6-14185-00	9 - 14	7WW-81800-00	15 - 1	7CT-E2118-00	6 - 8	7CT-G1256-00	7 - 19	90462-06232	14 - 5	95807-06025	14 - 4
	10 - 14	JE8-81812-00	15 - 2	7CT-E2119-00	6 - 14	7CT-G1266-00	7 - 4	90467-09806	13 - 15	95807-08025	15 - 13
22F-14186-00	9 - 18	JE8-81813-00	15 - 3	7CT-E2121-00	6 - 4	7CU-H1970-00	16 - 13	90468-12006	4 - 10	95817-08020	13 - 12
	10 - 18	JE8-81826-00	15 - 8	7CT-E2151-00	6 - 9		17 - 6		5 - 10	95817-08045	12 - 15
7E1-14191-00	9 - 6	7UJ-81833-00	15 - 6	7CT-E2153-00	6 - 5	7CT-H2139-00	16 - 25	90480-13018	16 - 26	95817-10070	1 - 3
	10 - 6	JE8-81834-00	15 - 7	7CT-E2154-00	6 - 13	7CU-H2150-00	16 - 17	90480-15235	13 - 6	95827-06008	11 - 5
127-14198-00	9 - 15	JE8-81840-00	15 - 4	7CT-E2156-00	6 - 12	7CU-H2151-00	16 - 18	90501-090A8	4 - 19		17 - 12
	10 - 15	JE8-81870-00	15 - 5	7CT-E2170-00	6 - 1	7CN-H2370-00	14 - 11	90501-10812	5 - 19	95827-06012	14 - 13
7NJ-14211-00	9 - 5	7LP-82510-00	16 - 11	7CT-E2287-00	6 - 2	7CP-H2507-00	16 - 1	90501-264A9	6 - 6	95827-06030	1 - 9
	10 - 5	73A-82511-00	16 - 12	7CT-E2621-00	7 - 1	7CU-H2507-00	17 - 7	90506-04421	7 - 20	95827-08016	11 - 6
73A-14212-00	9 - 4	7CR-E1111-00	1 - 1	7CT-E2621-10	7 - 1	7CU-H2507-10	16 - 14	90506-04458	4 - 16		17 - 13
	10 - 4	7CT-E1166-00	1 - 10	7CR-E2629-00	18 - 3	7CU-H2568-00	16 - 7		5 - 16	95880-06020	14 - 7
7RH-14216-00	9 - 2	7CR-E1181-00	1 - 2	7CT-E2651-00	7 - 3	7CU-H2588-00	16 - 19	90506-07412	4 - 27	97027-06030	4 - 12
	10 - 2	7CT-E1190-00	1 - 7	7CT-E3557-00	8 - 2	7CU-H2589-00	16 - 23	92902-08100	15 - 12		5 - 12
3G2-14231-20-A0	9 - 10	7CT-E1193-00	1 - 8	7CT-E3567-00	8 - 3	7CU-H2589-10	16 - 24	92907-06600	4 - 13	97707-40506	11 - 3
7X9-14239-00	10 - 12	7CT-E1198-00	12 - 7	7CT-E3596-00	8 - 1	7CU-H5521-10	14 - 3		5 - 13		17 - 10
3G2-1423E-39-A0	10 - 10	7CT-E1400-10	2 - 1	7CR-E4101-40	10 - 1	7CT-H5640-00	14 - 2	92907-08100	15 - 14	97707-50112	16 - 20
7RH-14411-01	8 - 4	7CT-E1400-30	2 - 1	7CR-E4101-50	9 - 1	7CU-H5650-00	14 - 1	93102-35802	12 - 3	97707-50120	16 - 16
7RH-14412-01	8 - 5	7CT-E1454-00	3 - 7	7CT-E4477-00	8 - 11	7CN-H5690-00	16 - 2		12 - 11	97707-60025	16 - 3
7RH-14429-00	8 - 8	7CT-E1561-00	3 - 8	7CT-E4613-00	11 - 9		17 - 4	93109-08803	12 - 4	98507-03008	13 - 22
7RH-14451-00	8 - 7	7CR-E1610-00	3 - 2		17 - 3	7CT-H5720-00	14 - 12	93210-22805	12 - 18	98507-04006	4 - 25
7RK-14451-10	8 - 7	7CR-E1610-10	3 - 2	7CT-E4708-00	11 - 4	7CN-H5724-00	14 - 14	93306-207Y0	12 - 10	98507-05010	7 - 5
7RK-14461-10	8 - 9	7CR-E1610-20	3 - 2		17 - 11	7CA-H5770-01	16 - 6	93306-252X4	12 - 5	98507-05012	4 - 23
7RK-14462-10	8 - 10	7CR-E1631-00-A0	3 - 1	7CT-E4711-00	11 - 1		17 - 5		12 - 12	98507-05025	4 - 18
7RH-14468-00	8 - 6	7CR-E1633-00	3 - 3		17 - 8	90170-05804	6 - 11	93306-307Y1	12 - 2	98507-06014	16 - 4
7RH-14486-00	9 - 3	7CR-E1635-00	3 - 1	7CT-E4786-00	11 - 2	90170-18391	14 - 8	93440-06826	4 - 5	98507-06035	5 - 18
	10 - 3	7CR-E1636-00	3 - 1		17 - 9	90173-06802	4 - 14		5 - 5	98907-06012	16 - 9
6K8-14597-10	9 - 12	7CT-E1650-00	3 - 5	7CR-E5111-10	12 - 1		5 - 14	93450-21833	3 - 4	99001-04600	4 - 26

NUMERICAL INDEX

PART NO.	REF. NO.	PART NO.	REF. NO.	PART NO.	REF. NO.	PART NO.	REF. NO.	PART NO.	REF. NO.
99530-08016	12 - 8								
99530-14016	1 - 4								