

PARTS CATALOGUE

YP10C (Q9C9) CSA, RUS, SEA



1N9C9-400E1

()

YP10C
PARTS CATALOGUE
©2015 by Yamaha Motor Co., Ltd.
1st edition, February 2015
All rights reserved.
Any reprinting or unauthorized use
without the written permission of
Yamaha Motor Co., Ltd.
is expressly prohibited.
Printed in Japan.

FOREWORD

This Parts Catalogue is related to the parts for the model(s) on the cover page. When you are ordering replacement parts, please refer to this Parts Catalogue and quote both part numbers and part names correctly.

1. Modifications or additions which have been made after the issue of the Parts Catalogue will be announced in the Parts News.

It is advisable that you make the necessary corrections to the Parts Catalogue according to the Parts News.

2. Abbreviations

The following abbreviations are used in this Parts Catalogue.

“UR” Use specified parts number.

“UN” Use as many as needed.

“AP” Alternate Parts

“LM” Locally Made (Parts need to be ordered locally)

“F#” Frame No. (Applicable machine No.)

“O/S” Over Size

3. The number of components for assembly

- Parts, which are to be supplied in an assembly, are listed with a dot (.) in front of the part name as shown below.
- The numeral appearing to the right of each component part indicates the quantity of parts for each assembly unit.

PART NO.	DESCRIPTION	Q'TY	REMARKS
2F5-83310-60	FRONT FLASHER LIGHT ASSY	2	
115-83311-60	.BULB (6V-18W)	1	

4. Applicable colours of graphics are represented in the “REMARKS” as shown below.

PART NO.	DESCRIPTION	Q'TY	REMARKS
2N4-24110-00-X5	FUEL TANK COMP.	2	MXR
3J1-24240-10	.GRAPHIC, FUEL TANK	1	FOR MXR

5. Note that the illustrations for reference in finding parts numbers are not to be used for assembling. When assembling, please use the applicable service manual.

6. The asterisk (*) before a reference number indicates modified items after the first edition.

FOREWORD

9. Applicable Starting Serial No.

Frame Serial No.

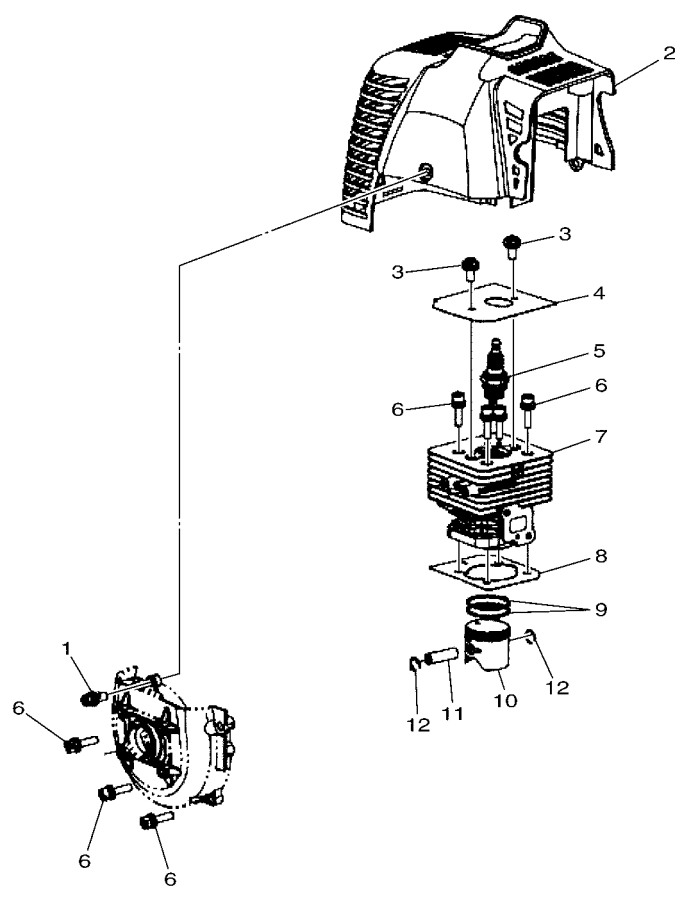
Model	Model Code	Destination	Serial NO.
YP10C	Q9C9	CSA, RUS, SEA	Q9C9-2100101

CONTENTS

CYLINDER	1
CRANKCASE	2
INTAKE	3
EXHAUST	4
FUEL TANK	5
WATER PUMP	6

INDEX

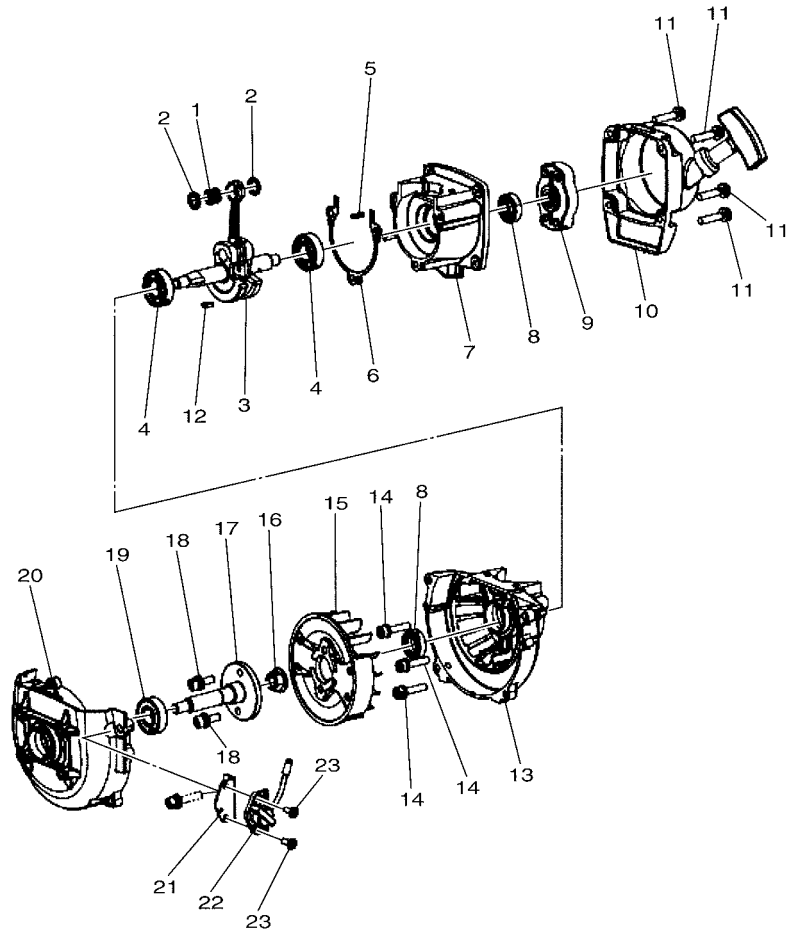
NUMERICAL INDEX	8
-----------------------	---



Q9C9400-N010

FIG. 1 CYLINDER

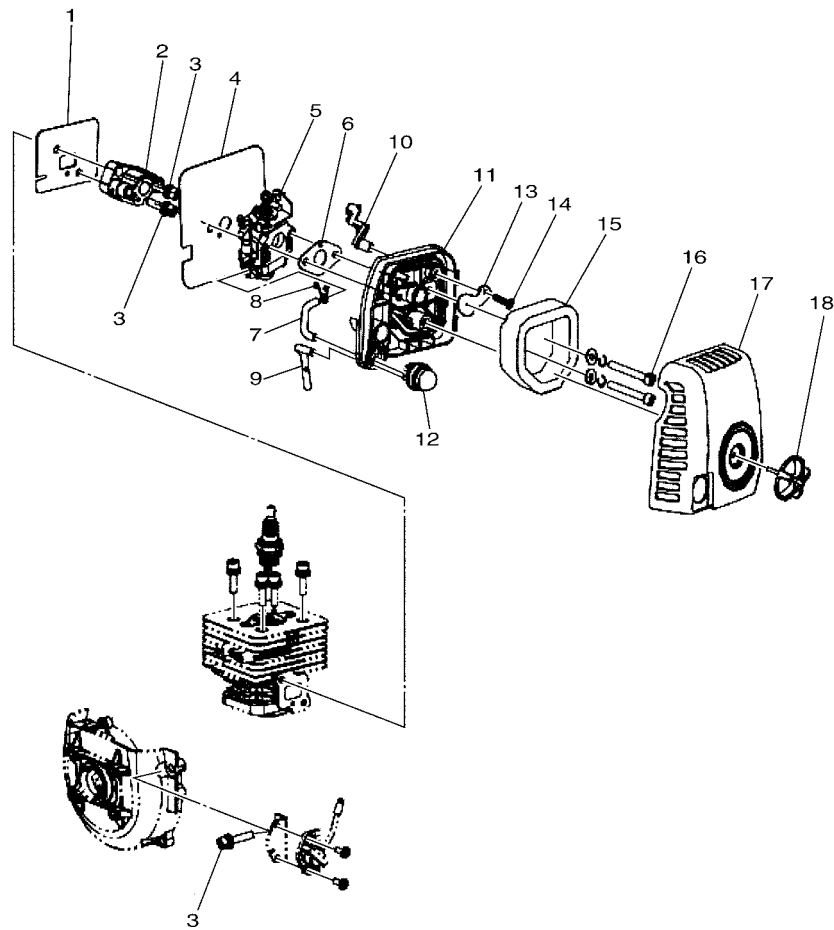
REF. NO.	PART NO.	DESCRIPTION	Q9C9				REMARKS
1	YJA-10002-87-01	BOLT ASSY	1				
2	YJA-10009-37-01	COVER, CYLINDER	1				
3	YJA-10002-85-01	BOLT ASSY	2				
4	YJA-10002-45-01	PLATE, CYLINDER	1				
5	YJA-10003-01-01	PLUG, SPARK	1				
6	YJA-10002-79-01	BOLT	7				
7	YJA-10003-12-01	CYLINDER	1				
8	YJA-10002-63-01	GASKET, CYLINDER	1				
9	YJA-10002-40-01	RING, PISTON	2				
10	YJA-10002-38-01	PISTON	1				
11	YJA-10002-39-01	PIN, PISTON	1				
12	YJA-10002-41-01	CLIP	2				



Q9C9400-N020

FIG. 2 CRANKCASE

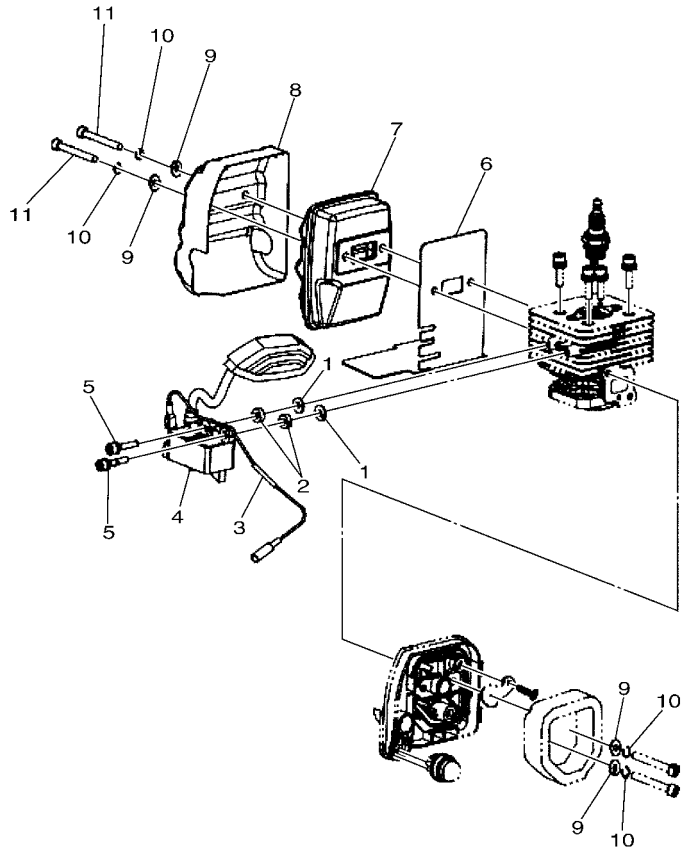
REF. NO.	PART NO.	DESCRIPTION	Q9C9				REMARKS
1	YJA-10006-96-01	BEARING, NEEDLE	1				
2	YJA-10002-44-01	WASHER	2				
3	YJA-10006-97-01	CRANKSHAFT ASSY	1				
4	YJA-10002-97-01	BEARING	2				
5	YJA-10002-94-01	PIN	2				
6	YJA-10002-67-01	GASKET, CRANKCASE	1				
7	YJA-10003-11-01	CRANKCASE, REAR	1				
8	YJA-10003-00-01	SEAL, OIL	2				
9	YJA-10002-59-01	STARTER PULLEY COMP.	1				
10	YJA-10002-58-01	STARTER COMP.	1				
11	YJA-10002-84-01	BOLT ASSY	4				
12	YJA-10002-95-01	KEY, WOODRAFF	1				
13	YJA-10003-10-01	CRANKCASE, FRONT	1				
14	YJA-10002-80-01	BOLT	3				
15	YJA-10007-06-01	FLYWHEEL	1				
16	YJA-10002-88-01	NUT	1				
17	YJA-10002-61-01	CONNECTING SHAFT	1				
18	YJA-10002-78-01	BOLT	2				
19	YJA-10002-98-02	BEARING	1				
20	YJA-01215-14-01	HOUSING, BLOWER	1				
21	YJA-10002-47-01	BRACKET	1				
22	YJA-10002-56-01	STOP SWITCH	1				
23	YJA-10002-83-01	BOLT ASSY	2				




 Q9C9400-N030

FIG. 3 INTAKE

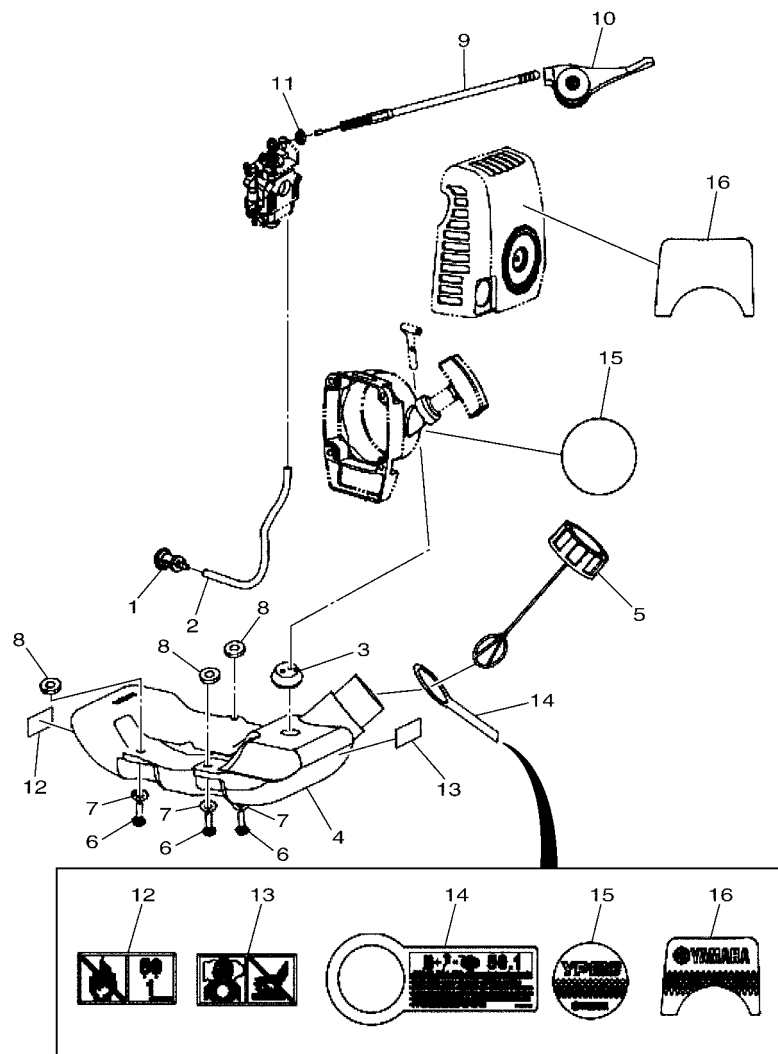
REF. NO.	PART NO.	DESCRIPTION	Q9C9				REMARKS
1	YJA-10002-65-01	GASKET, INSULATOR	1				
2	YJA-10002-73-01	INSULATOR	1				
3	YJA-10002-77-01	BOLT ASSY	3				
4	YJA-10002-69-01	GASKET, CARBURETOR	1				
5	YJA-10008-11-01	CARBURETOR	1				
6	YJA-10002-66-01	GASKET, CARBURETOR	1				
7	YJA-10003-94-01	PIPE	1				
8	YJA-10002-42-01	CLAMP, HOSE	1				
9	YJA-10003-95-01	PIPE, FUEL	1				
10	YJA-10006-95-01	HANDLE, CHOKE	1				
11	YJA-10003-05-01	BODY, CLEANER	1				
12	YJA-10002-51-01	PRIMER PUMP ASSY	1				
13	YJA-10003-03-01	CHOKE	1				
14	YJA-10002-81-01	BOLT	1				
15	YJA-10002-71-01	ELEMENT, CLEANER	1				
16	YJA-10002-76-01	BOLT ASSY	2				
17	YJA-10003-06-01	COVER, CLEANER	1				
18	YJA-10003-07-01	COVER, KNOB	1				



FWD
Q9C9400-N040

FIG. 4 EXHAUST

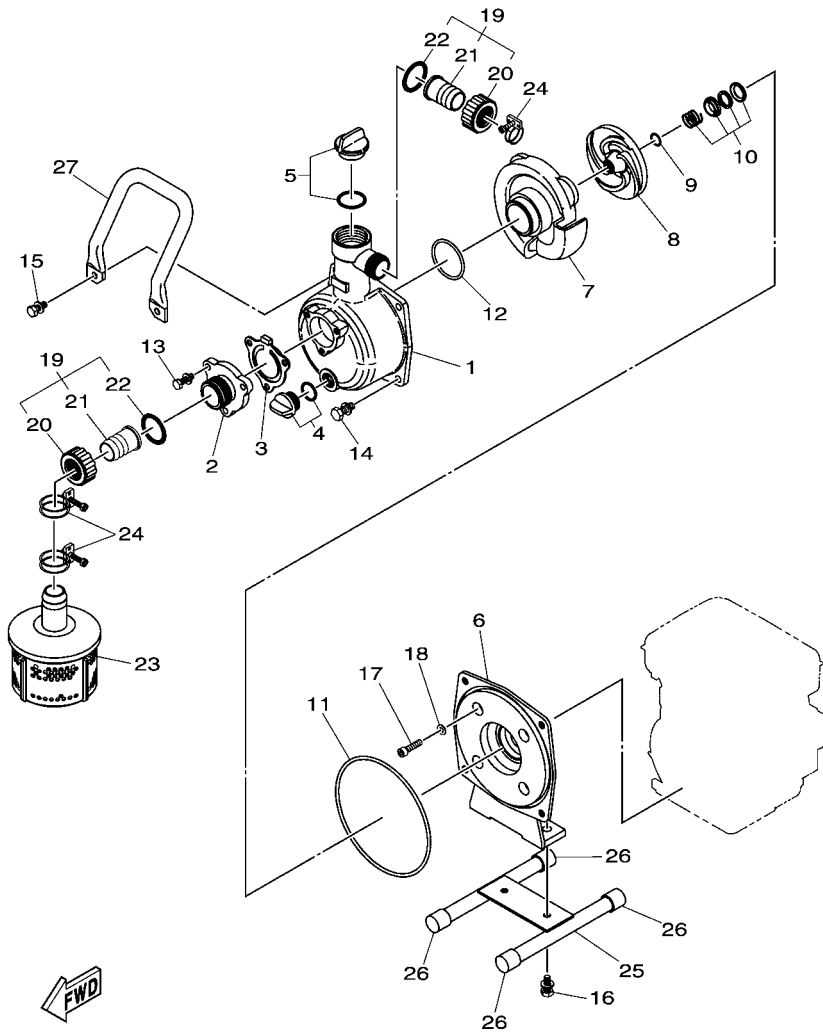
REF. NO.	PART NO.	DESCRIPTION	Q9C9				REMARKS
1	YJA-10002-90-01	WASHER	2				
2	YJA-10002-64-01	SPACER	2				
3	YJA-10002-57-01	WIRE, LEAD	1				
4	YJA-10007-08-01	IGNITION COIL COMP.	1				
5	YJA-10007-33-01	BOLT ASSY	2				
6	YJA-10002-68-01	GASKET, MUFFLER	1				
7	YJA-10002-48-01	MUFFLER	1				
8	YJA-10002-46-01	COVER, MUFFLER	1				
9	YJA-10002-92-01	WASHER	4				
10	YJA-10002-93-01	WASHER	4				
11	YJA-10002-75-01	BOLT	2				



Q9C9400-N050

FIG. 5 FUEL TANK

REF. NO.	PART NO.	DESCRIPTION	Q9C9				REMARKS
1	YJA-10002-60-01	FILTER, FUEL	1				
2	YJA-10003-96-01	PIPE, FUEL	1				
3	YJA-10002-70-01	GROMMET	1				
4	YJA-10003-13-01	TANK, FUEL	1				
5	YJA-10002-72-01	TANK CAP ASSY	1				
6	YJA-10002-82-01	BOLT ASSY	3				
7	YJA-10002-91-01	WASHER	3				
8	YJA-10002-74-01	WASHER	3				
9	YJA-10002-55-01	CABLE ASSY	1				
10	YJA-10002-62-01	LEVER, THROTTLE	1				
11	YJA-10002-89-01	NUT	2				
12	YJA-01216-50-01	LABEL, CAUTION G	1				
13	YJA-01147-60-01	LABEL, CAUTION C	1				
14	YJA-01221-61-01	TAG	1				
15	YJA-01222-70-01	LABEL, REGOIL	1				
16	YJA-01222-69-01	LABEL, AIR CLEANER	1				

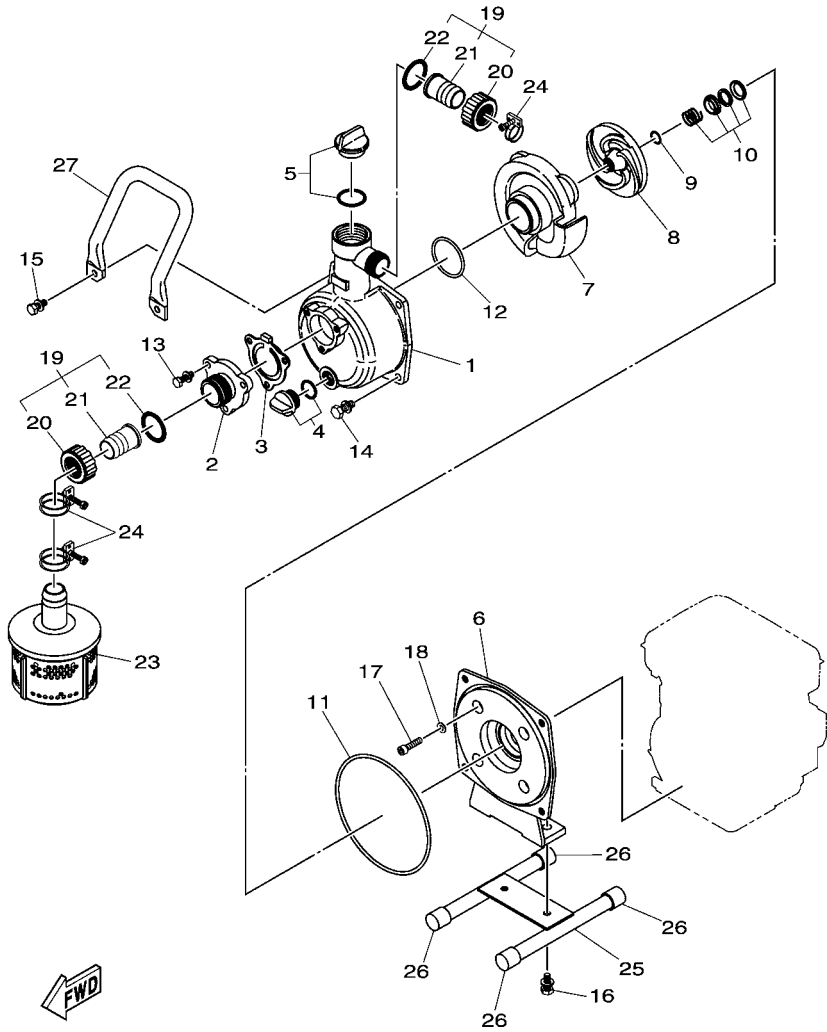


Q9C9400-N060

FIG. 6 WATER PUMP

REF. NO.	PART NO.	DESCRIPTION	Q9C9				REMARKS
1	YJA-01151-08	PUMP CASING	1				
2	YJA-01133-25	SUCTION FRANGE	1				
3	YJA-01133-26	CHECK VALVE	1				
4	YJA-01480-10	PLUG SET (15A)	1				
5	YJA-01184-50	PLUG	1				
6	YJA-01149-92	FRANGE BRACKET	1				
7	YJA-01125-28	VOLUTE CASING	1				
8	YJA-01149-93	IMPELLER	1				
9	YJA-01402-51	ADJUSTING WASHER	1				UR
	YJA-01216-28	ADJUSTING WASHER	1				UR
10	YJA-01216-66	MECHANICAL SEAL	1				
11	YJA-89025-50-31	O-RING	1				
12	YJA-88985-50-42	O-RING	1				
13	YJA-74311-90-32	HEXAGON BOLT	3				
14	YJA-74311-90-45	BOLT, HEXAGON WITH WASHER	2				
15	YJA-74311-90-46	BOLT, HEXAGON WITH WASHER	2				
16	YJA-74311-90-43	HEXAGON BOLT (M8X16)	2				
17	YJA-73453-22-74	HEXAGON SOCKET BOLT	4				
18	YJA-01218-17	SEAL WASHER	4				
19	YJA-03481-24	COUPLING SET	2				
20	YJA-01217-45	COUPLING	2				
21	YJA-01216-59	NIPPLE	2				
22	YJA-03400-65	COUPLING PACKING	2				
23	YJA-01181-93	STRAINER	1				
24	YJA-01209-53	HOSE BAND	3				
25	YJA-01175-37	BASE SET	1				
26	YJA-01125-76	PIPE RUBBER	4				

FIG. 6 WATER PUMP



REF. NO.	PART NO.	DESCRIPTION	Q9C9				REMARKS
27	YJA-01158-20	HANDLE	1				

NUMERICAL INDEX

PART NO.	REF. NO.	PART NO.	REF. NO.	PART NO.	REF. NO.	PART NO.	REF. NO.	PART NO.	REF. NO.	PART NO.	REF. NO.
YJA-01125-28	6 - 7	YJA-10002-65-01	3 - 1	YJA-10007-06-01	2 - 15						
YJA-01125-76	6 - 26	YJA-10002-66-01	3 - 6	YJA-10007-08-01	4 - 4						
YJA-01133-25	6 - 2	YJA-10002-67-01	2 - 6	YJA-10007-33-01	4 - 5						
YJA-01133-26	6 - 3	YJA-10002-68-01	4 - 6	YJA-10008-11-01	3 - 5						
YJA-01147-60-01	5 - 13	YJA-10002-69-01	3 - 4	YJA-10009-37-01	1 - 2						
YJA-01149-92	6 - 6	YJA-10002-70-01	5 - 3	YJA-73453-22-74	6 - 17						
YJA-01149-93	6 - 8	YJA-10002-71-01	3 - 15	YJA-74311-90-32	6 - 13						
YJA-01151-08	6 - 1	YJA-10002-72-01	5 - 5	YJA-74311-90-43	6 - 16						
YJA-01158-20	6 - 27	YJA-10002-73-01	3 - 2	YJA-74311-90-45	6 - 14						
YJA-01175-37	6 - 25	YJA-10002-74-01	5 - 8	YJA-74311-90-46	6 - 15						
YJA-01181-93	6 - 23	YJA-10002-75-01	4 - 11	YJA-88985-50-42	6 - 12						
YJA-01184-50	6 - 5	YJA-10002-76-01	3 - 16	YJA-89025-50-31	6 - 11						
YJA-01209-53	6 - 24	YJA-10002-77-01	3 - 3								
YJA-01215-14-01	2 - 20	YJA-10002-78-01	2 - 18								
YJA-01216-28	6 - 9	YJA-10002-79-01	1 - 6								
YJA-01216-50-01	5 - 12	YJA-10002-80-01	2 - 14								
YJA-01216-59	6 - 21	YJA-10002-81-01	3 - 14								
YJA-01216-66	6 - 10	YJA-10002-82-01	5 - 6								
YJA-01217-45	6 - 20	YJA-10002-83-01	2 - 23								
YJA-01218-17	6 - 18	YJA-10002-84-01	2 - 11								
YJA-01221-61-01	5 - 14	YJA-10002-85-01	1 - 3								
YJA-01222-69-01	5 - 16	YJA-10002-87-01	1 - 1								
YJA-01222-70-01	5 - 15	YJA-10002-88-01	2 - 16								
YJA-01402-51	6 - 9	YJA-10002-89-01	5 - 11								
YJA-01480-10	6 - 4	YJA-10002-90-01	4 - 1								
YJA-03400-65	6 - 22	YJA-10002-91-01	5 - 7								
YJA-03481-24	6 - 19	YJA-10002-92-01	4 - 9								
YJA-10002-38-01	1 - 10	YJA-10002-93-01	4 - 10								
YJA-10002-39-01	1 - 11	YJA-10002-94-01	2 - 5								
YJA-10002-40-01	1 - 9	YJA-10002-95-01	2 - 12								
YJA-10002-41-01	1 - 12	YJA-10002-97-01	2 - 4								
YJA-10002-42-01	3 - 8	YJA-10002-98-02	2 - 19								
YJA-10002-44-01	2 - 2	YJA-10003-00-01	2 - 8								
YJA-10002-45-01	1 - 4	YJA-10003-01-01	1 - 5								
YJA-10002-46-01	4 - 8	YJA-10003-03-01	3 - 13								
YJA-10002-47-01	2 - 21	YJA-10003-05-01	3 - 11								
YJA-10002-48-01	4 - 7	YJA-10003-06-01	3 - 17								
YJA-10002-51-01	3 - 12	YJA-10003-07-01	3 - 18								
YJA-10002-55-01	5 - 9	YJA-10003-10-01	2 - 13								
YJA-10002-56-01	2 - 22	YJA-10003-11-01	2 - 7								
YJA-10002-57-01	4 - 3	YJA-10003-12-01	1 - 7								
YJA-10002-58-01	2 - 10	YJA-10003-13-01	5 - 4								
YJA-10002-59-01	2 - 9	YJA-10003-94-01	3 - 7								
YJA-10002-60-01	5 - 1	YJA-10003-95-01	3 - 9								
YJA-10002-61-01	2 - 17	YJA-10003-96-01	5 - 2								
YJA-10002-62-01	5 - 10	YJA-10006-95-01	3 - 10								
YJA-10002-63-01	1 - 8	YJA-10006-96-01	2 - 1								
YJA-10002-64-01	4 - 2	YJA-10006-97-01	2 - 3								